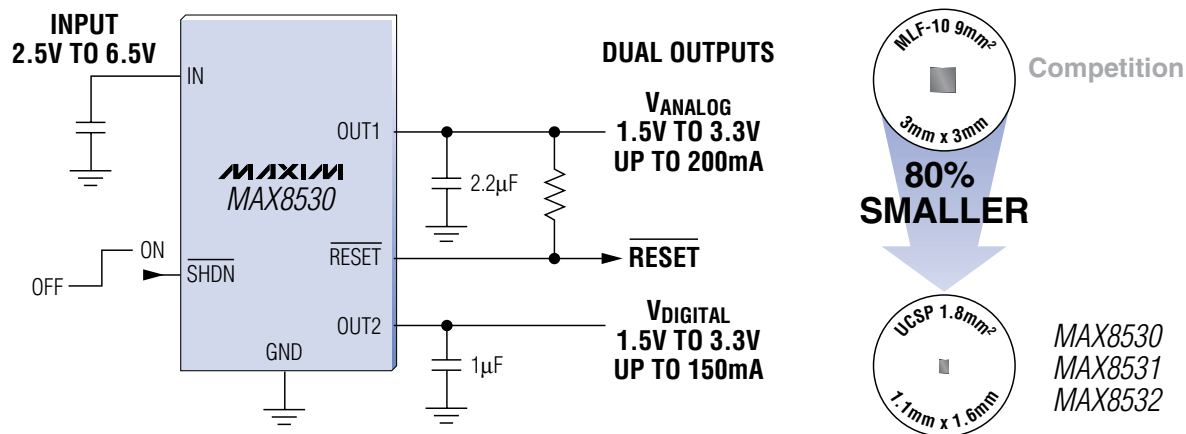


# SMALLEST, DUAL LOW-DROPOUT LINEAR REGULATORS FIT IN 1.8mm<sup>2</sup>

**Chip-Scale Package (UCSP™) Saves 80% Space for Cellphones, PDAs, and Digital Cameras**

The MAX8530 and MAX8531 are the smallest dual LDO regulators available, designed to fit in the most restricted space. They operate with only 100mV of dropout at 100mA to give long battery life. The MAX8530 provides a reset output to monitor LDO output regulation. This eliminates external components and factory adjustment. The MAX8531 is designed for sensitive RF systems, and uses a small bypass capacitor to provide only 40μVRMS of output noise. The MAX8532 is a single 200mA LDO in the same package. The MAX8530/MAX8531 are available in either UCSP or a 3mm x 3mm thin-QFN package. The MAX8532 is available in UCSP only.



- ◆ Low 100mV Dropout at 100mA
- ◆ ±1% Output Voltage Accuracy
- ◆ Preset Voltages from 1.5V to 3.3V
- ◆ 200mA and 150mA Guaranteed Dual Outputs (MAX8530/MAX8531)
- ◆ Low Ground Current
  - ◆ 130μA (MAX8530/MAX8531)
  - ◆ 80μA (MAX8532)
- ◆ 0.01μA Shutdown Current
- ◆ Thermal Overload Protection
- ◆ Priced at \$0.75<sup>†</sup>

UCSP is a trademark of Maxim Integrated Products, Inc.  
<sup>†</sup>\$2500-up recommended resale. Prices provided are for design guidance and are FOB USA. International prices will differ due to local duties, taxes, and exchange rates.



[www.maxim-ic.com](http://www.maxim-ic.com)

**FREE Power Supplies Design Guide—Sent Within 24 Hours!**

CALL TOLL-FREE 1-800-998-8800 (6:00 a.m.—6:00 p.m. PT)

For a Design Guide or Free Sample



Distributed by Maxim/Dallas Direct!, Arrow, Avnet Electronics Marketing, Digi-Key, and Newark.  
MAXIM is a registered trademark of Maxim Integrated Products, Inc. © 2003 Maxim Integrated Products.