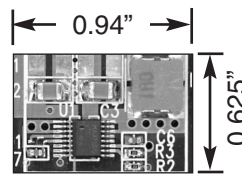
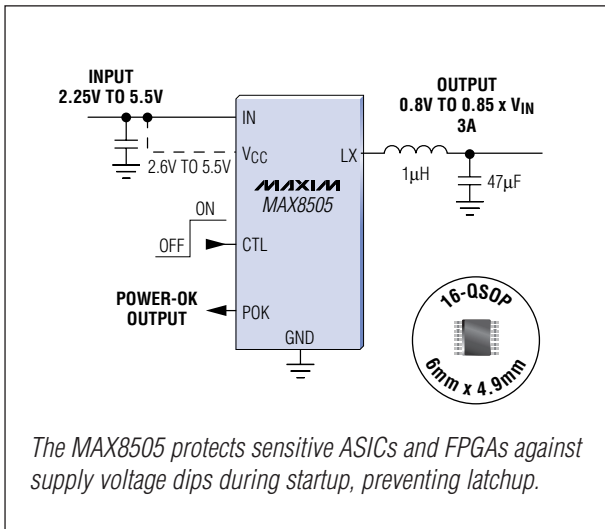


SMALLEST, HIGH-PERFORMANCE, 3A STEP-DOWN DC-DC FITS IN 0.59in²

Compatible with Ceramic and Electrolytic Capacitors

The MAX8505 simplifies step-down DC-DC regulator design, layout, and testing in cellular base stations, servers, storage, network and telecom equipment by integrating high-power MOSFET switches. Additionally, its current-mode PWM control simplifies compensation design, and its high switching frequency provides excellent transient response. Output voltage is 1% accurate to meet the stringent supply requirements for low-voltage ASIC/DSP/ μ P cores.



Typical Application

HIGH-PERFORMANCE FEATURES

- ◆ 1% Accurate Output
- ◆ ON/OFF Control
- ◆ Output Power-OK Monitor
- ◆ Short Circuit Protection
- ◆ Thermal Overload Protection
- ◆ Adjustable, In-Regulation Soft-Start
- ◆ Priced at \$2.10[†]

Widest Selection of All-Ceramic Internal Switches DC-DC Regulators for Servers, Storage, Network, Base Stations, and Telecom

Part	V _{IN} (V)	Min V _{OUT} (V)	I _{OUT} (A)	Frequency (MHz)	Circuit Footprint (Inch ²)	Key Features
MAX1973	2.6 to 5.5	1.25	1	1.4	0.19	Voltage margining
MAX1974	2.6 to 5.5	0.75	1	1.4	0.19	Power-OK monitor
MAX1970	2.6 to 5.5	0.8	2 x 0.75	1.4		Dual-output, power-on reset, input fail detector
MAX1971	2.6 to 5.5	0.8	2 x 0.75	0.7		Dual-output, power-on reset, reset input
MAX1951	2.6 to 5.5	0.8	2	1	0.39	Simplest, low cost
MAX8505	2.6 to 5.5	0.8	3	0.5/1	0.59	Power-OK, fastest transient response
MAX1945	2.6 to 5.5	0.8	6	0.5/1	0.76	Synchronization, voltage margining

[†]1000-up recommended resale. Price provided is for design guidance and is FOB USA. International prices will differ due to local duties, taxes, and exchange rates. Not all packages are offered in 1k increments, and some may require minimum order quantities.



www.maxim-ic.com

FREE Power Supplies Design Guide—Sent Within 24 Hours!

CALL TOLL-FREE 1-800-998-8800 (6:00 a.m.–6:00 p.m. PT)

For a Design Guide or Free Sample



Distributed by Maxim/Dallas Direct!, Arrow, Avnet Electronics Marketing, Digi-Key, and Newark.

MAXIM is a registered trademark of Maxim Integrated Products, Inc. © 2004 Maxim Integrated Products.