

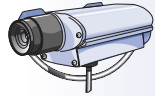
# S-VIDEO RECONSTRUCTION FILTER CREATES COMPOSITE VIDEO OUTPUT

## Filter 3 Video Channels for the Price of 2



Reconstruction filter solutions require CVBS, Y, and C video encoder DAC outputs along with 3 filter stages. The MAX7443/MAX7444 are a more *cost effective solution* because they use 1 less filter stage and 1 less DAC output.

### SECURITY CAMERAS



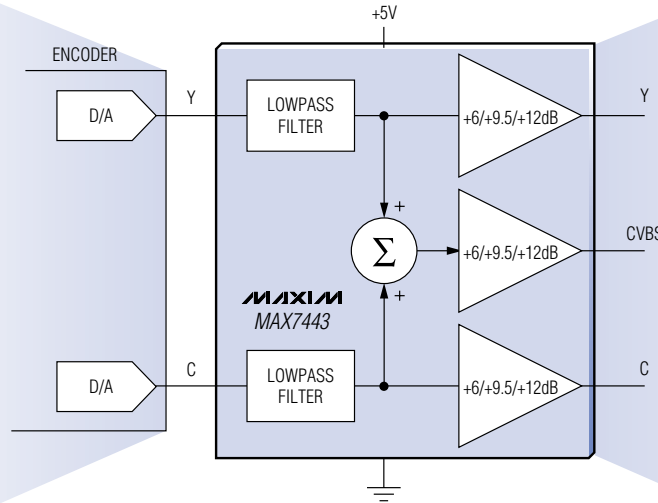
### SET-TOP BOX



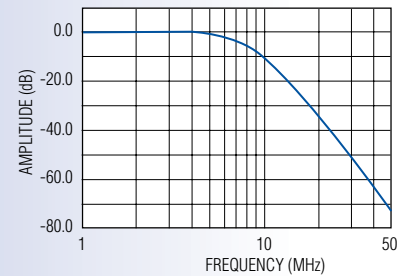
### DIGITAL CAMERAS



### DVD



### PASSBAND AMPLITUDE vs. FREQUENCY



- ◆ Fixed Filter Characteristics Ideal for NTSC, PAL, and SDTV Video Signals
- ◆ Selectable +6dB, +9.5dB, or +12dB Buffer Gain
- ◆ Each Channel Drives 2 Video Loads
- ◆ Stopband: -44dB @ 27MHz
- ◆ Passband: ±0.2dB Flatness
- ◆ High-Frequency Boost Options Available

Part	No. of Channels	Buffer Gain (dB)	High-Frequency Boost	Supply Voltage (V)	Pin-Package	Price <sup>†</sup> (\$)
MAX7443	3	+6/+9.5/+12	No	4.5 to 5.5	8-QFN or 8-SO	1.52
MAX7444	3	+6/+9.5/+12	Yes	4.5 to 5.5	8-QFN or 8-SO	1.52

<sup>†</sup>1000-up recommended resale. Prices provided are for design guidance and are FOB USA. International prices will differ due to local duties, taxes, and exchange rates. Not all packages are offered in 1k increments, and some may require minimum order quantities.



[www.maxim-ic.com](http://www.maxim-ic.com)

**FREE Video Design Guide—Sent Within 24 Hours!**

CALL TOLL-FREE 1-800-998-8800 (6:00 a.m.—6:00 p.m. PT)

For a Design Guide or Free Sample



Distributed by Maxim/Dallas Direct!, Arrow, Avnet Electronics Marketing, Digi-Key, and Newark.

MAXIM is a registered trademark of Maxim Integrated Products, Inc. © 2003 Maxim Integrated Products.