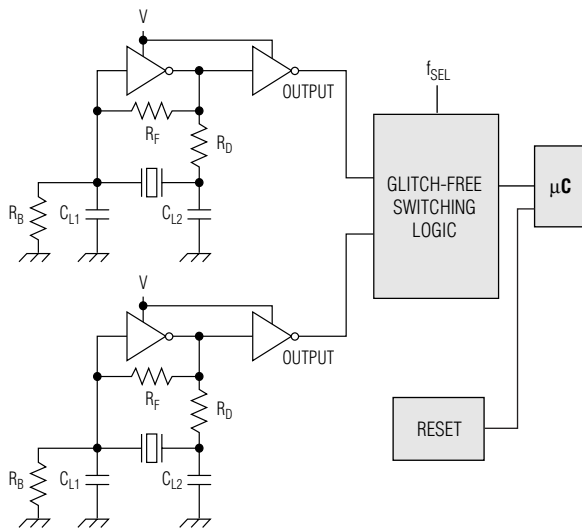


WORLD'S FIRST FREQUENCY-SWITCHING SILICON OSCILLATORS WITH POWER-ON RESET

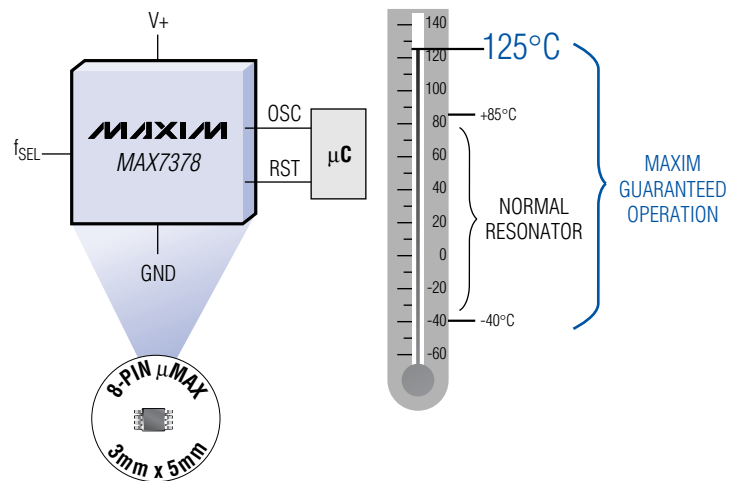
Low-Cost Oscillators Resist EMI, Shock, and Vibration in Harsh Environments

The MAX7376/MAX7377/MAX7378 and MAX7382*/MAX7383*/MAX7384* silicon oscillators integrate power-on reset and the ability to select from two different oscillator frequencies. Unlike typical crystal and ceramic-resonator oscillator circuits, these devices resist vibration and EMI. The high-output drive current ($\pm 10\text{mA}$) and absence of high-impedance nodes make these oscillators less susceptible to dirty or humid operating conditions. Pricing starts at \$0.44†.

Replace All This...



With This!



- ◆ **Factory-Programmed Main Frequency**
 - ◆ 600kHz to 10MHz (MAX7376–MAX7378)
 - ◆ 10MHz to 32MHz (MAX7382–MAX7384)
- ◆ **Fully Specified from -40°C to +125°C**
- ◆ **Low Operating Current**
 - ◆ 11μA at 32kHz
 - ◆ 2.4mA at 8MHz
- ◆ **Low Jitter, PLL-Less Topology**
- ◆ **10mA Drive-Current Capability**

Part	32kHz Output	No. of Frequencies	Max Frequency (MHz)	Power-On Reset	Package
MAX7376		1	10	✓	5-SOT23
MAX7377	✓	2	10		5-SOT23
MAX7378	✓	2	10	✓	8-μMAX®
MAX7382*		1	32	✓	5-SOT23
MAX7383*	✓	2	32		5-SOT23
MAX7384*	✓	2	32	✓	8-μMAX

μMAX is a registered trademark of Maxim Integrated Products, Inc.

*Future product—contact factory for availability.

†25k-up piece price provided is for design guidance and is FOB USA. Lowest grade pricing.



www.maxim-ic.com

FREE System Timing & Control Design Guide—Sent Within 24 Hours!

CALL TOLL-FREE 1-800-998-8800 (6:00 a.m.–6:00 p.m. PT)

For a Design Guide or Free Sample



Distributed by Maxim/Dallas Direct!, Arrow, Avnet Electronics Marketing, Digi-Key, and Newark.

MAXIM is a registered trademark of Maxim Integrated Products, Inc. DALLAS is a registered trademark of Dallas Semiconductor Corp. © 2004 Maxim Integrated Products, Inc. All rights reserved.