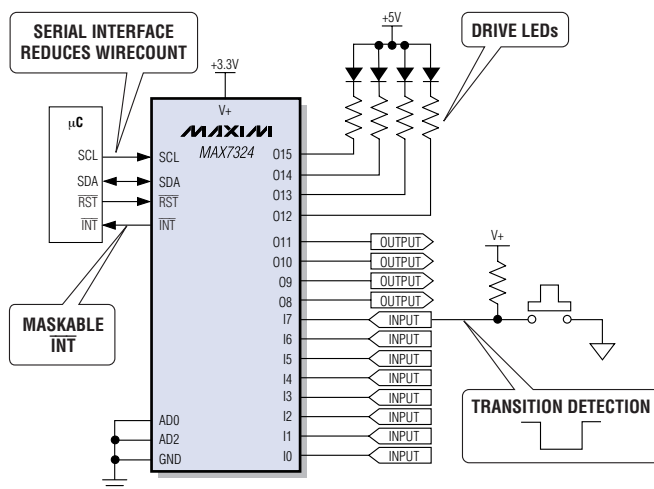


WIDE RANGE OF FEATURES MAKES GPIOs LOWER COST SOLUTION THAN μ Cs

Transition Detection, Maskable Interrupt, Serial Interface, and Small Size—Ease Routing and Add Flexibility to System Design

- ◆ Port Transition Detection
- ◆ Interrupt Mask Selects Which Inputs Assert \overline{INT}
- ◆ 1.71V to 5.5V Operation
- ◆ -40°C to +125°C Temp Range
- ◆ Hot-Insertion Protected
- ◆ Low-Power Shutdown



Part	\overline{RST} Input	No. of Inputs	Interrupt Mask	No. of Open-Drain Outputs	No. of Push-Pull Outputs	Package
MAX7319	✓	8	✓	—	—	16-QSOP/TQFN
MAX7320	✓	—	—	—	8	16-QSOP/TQFN
MAX7321	✓	Up to 8	—	Up to 8	—	16-QSOP/TQFN
MAX7322	✓	4	✓	—	4	16-QSOP/TQFN
MAX7323	✓	Up to 4	—	Up to 4	4	16-QSOP/TQFN
MAX7328*	—	Up to 8	—	Up to 8	—	20-SSOP/16-W-SO
MAX7329**	—	Up to 8	—	Up to 8	—	20-SSOP/16-W-SO
MAX7324	✓	8	✓	—	8	24-QSOP/TQFN
MAX7325	✓	Up to 8	—	Up to 8	8	24-QSOP/TQFN
MAX7326	✓	4	✓	—	12	24-QSOP/TQFN
MAX7327	✓	Up to 4	—	Up to 4	12	24-QSOP/TQFN

*PCF8574 2nd Source.
**PCA8574A 2nd Source.

8 PORTS

16 PORTS

16-TQFN
3mm x 3mm

24-TQFN
4mm x 4mm



www.maxim-ic.com

FREE Display Design Guide—Sent Within 24 Hours!

CALL TOLL FREE 1-800-998-8800 (6:00 a.m.–6:00 p.m. PT)

For a Design Guide or Free Sample



Distributed by Maxim/Dallas Direct!, Arrow, Avnet Electronics Marketing, Digi-Key, and Newark.

The Maxim logo is a registered trademark of Maxim Integrated Products, Inc. The Dallas Semiconductor logo is a registered trademark of Dallas Semiconductor Corp.

© 2005 Maxim Integrated Products, Inc. All rights reserved.