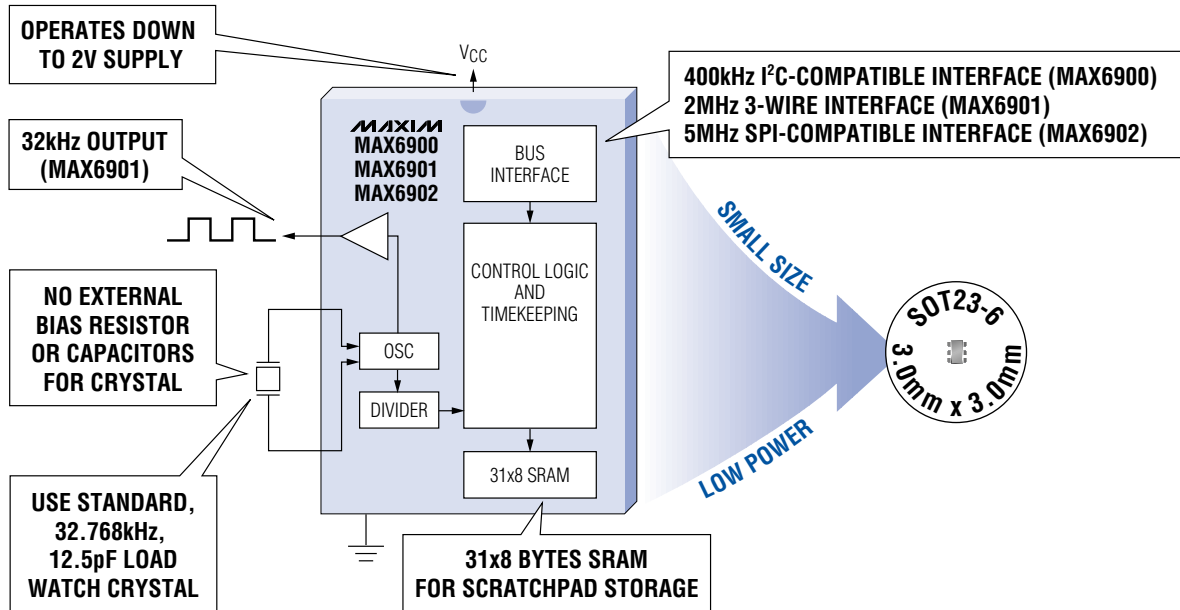


WORLD'S FIRST REAL-TIME CLOCKS IN SOT23

Easy-to-Use Real Time Clocks Optimized for Portable Equipment and Battery-Operated Systems



- ◆ Low Time-Keeping Current: 225nA (Typical)
- ◆ Operates from 2V to 5.5V
- ◆ Uses Standard 32.768kHz, 12.5pF Watch Crystal
- ◆ No Crystal Bias Resistors or Capacitors Required
- ◆ 31x8 Bytes Scratchpad SRAM
- ◆ Pollable Alarm Function (MAX6901/MAX6902)
- ◆ 32.768kHz Output (MAX6901)
- ◆ Industrial Temperature Range (-40°C to +85°C)

PART	BUS INTERFACE	SRAM	32kHz OUTPUT	POLLED ALARM	PIN-PACKAGE	ORDERING INFORMATION
MAX6900	I ² C™-Compatible	31x8			6-SOT23	MAX6900EUT
MAX6901	3-Wire	31x8	x	x	8-SOT23	MAX6901EKA
MAX6902*	SPI™-Compatible	31x8		x	8-SOT23	MAX6902EKA

*Future product—contact factory for availability.

SMBus is a trademark of Intel Corp. I²C is a trademark of Philips Corp.

2001 EDITION!
FREE FULL-LINE DATA CATALOG
ON CD-ROM



CALL TOLL-FREE 1-800-998-8800 for a Design Guide or Free Sample
6:00 a.m. – 6:00 p.m. Pacific Time

MAXIM
www.maxim-ic.com



NEW! Get Price, Delivery, and Place Orders
Online at www.maxim-ic.com

Maxim Integrated Products, 120 San Gabriel Drive, Sunnyvale, CA 94086, (408) 737-7600, FAX (408) 737-7194.

Distributed by Maxim/Dallas Direct!, Arrow, Avnet Electronics Marketing, CAM RPC, Digi-Key, Elmo, Nu Horizons, and Zeus.
Distributed in Canada by Arrow and Avnet Electronics Marketing.

MAXIM is a registered trademark of Maxim Integrated Products, Inc. © 2001 Maxim Integrated Products.