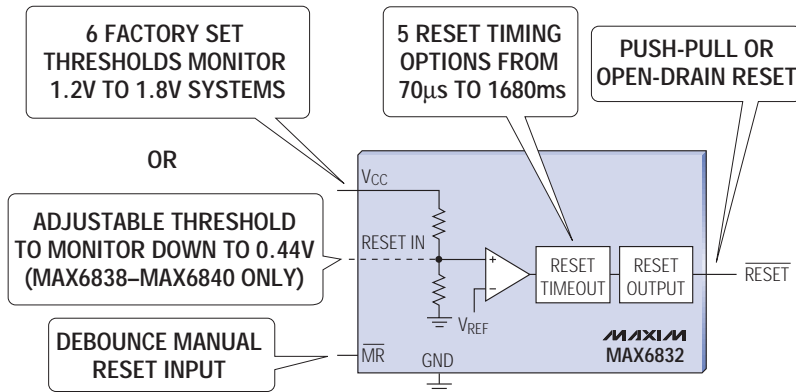


FIRST SC70 μ P SUPERVISORY ICs TO MONITOR 1.2V WITHOUT EXTERNAL COMPONENTS

Small Size, Low Power, and Low Thresholds are Ideal for Portable Equipment



MAXIM OFFERS SUPERIOR
PERFORMANCE AND FLEXIBILITY
VERSUS THE COMPETITION

Performance:

- ◆ Reduce Supply Current by 55%
- ◆ SC70 Package Saves 35% Board Space

Flexibility:

- ◆ Six Threshold Options Monitor 1.2V to 1.8V Systems
- ◆ Five Timing Options to Meet Various Processor Requirements
- ◆ Adjustable Threshold Monitors Down to 0.44V

- ◆ Accurate 2.5% Threshold Over Temperature
- ◆ Guaranteed Valid Reset Down to 0.55V
- ◆ Voltage Detector Versions Available
- ◆ Pin Compatible with Industry-Standard MAX803/MAX809/MAX810 and MAX6711/MAX6712/MAX6713

PUSH-PULL RESET	PUSH-PULL RESET	OPEN-DRAIN RESET	MANUAL RESET INPUT (MR)	ADJUSTABLE RESET INPUT (DOWN TO 0.44V)	TYPICAL RESET TIMEOUT (ms)	PRICE [†] (\$)
MAX6832	MAX6833	MAX6834			0.07, 1.5, 30, 210, or 1680	0.96
MAX6835*	MAX6836*	MAX6837*	✓			0.96
MAX6838	MAX6839	MAX6840		✓		0.96

*Future product—contact factory for availability.

[†]\$2,500-up recommended resale, FOB USA. Prices provided are for design guidance and are for the lowest grade, commercial temperature parts. International prices will differ due to local duties, taxes, and exchange rates. Prices are subject to change. Not all packages are offered in 1k increments, and some may require minimum order quantities.



FREE μ P Supervisory Design Guide—Sent Within 24 Hours!
Includes: Reply Cards for Free Samples and Data Sheets

CALL TOLL-FREE 1-800-998-8800 for a Design Guide or Free Sample
6:00 a.m. – 6:00 p.m. Pacific Time

MAXIM
www.maxim-ic.com

2001 EDITION!
FREE FULL-LINE DATA CATALOG
ON CD-ROM



MAXIM/DALLAS SEMICONDUCTOR
DIRECT
DISTRIBUTION
1-888-MAXIM-IC

ARROW
ARROW ELECTRONICS, INC.
1-800-777-2776

AVNET
electronics marketing
1-800-332-8638

Maxim Integrated Products, 120 San Gabriel Drive, Sunnyvale, CA 94086, (408) 737-7600, FAX (408) 737-7194.

Distributed by Maxim/Dallas Direct!, Arrow, Avnet Electronics Marketing, Digi-Key, and Newark.

Distributed in Canada by Arrow and Avnet Electronics Marketing.

MAXIM is a registered trademark of Maxim Integrated Products, Inc. © 2002 Maxim Integrated Products.