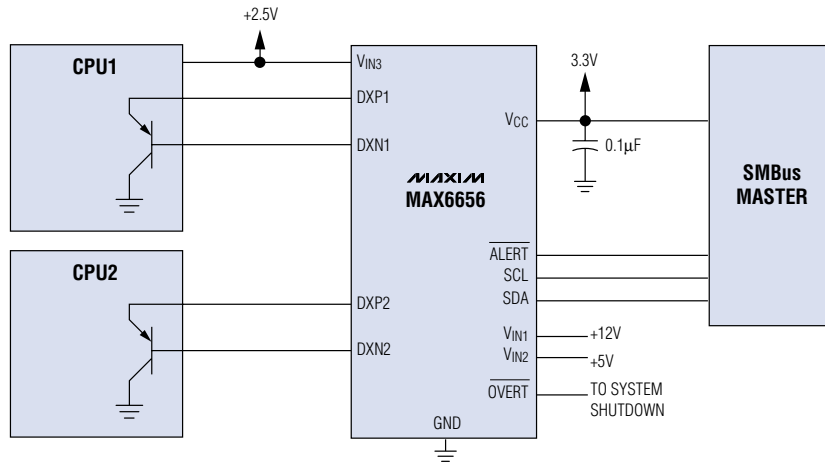


# FIRST DUAL REMOTE TEMP SENSORS WITH VOLTAGE MONITORING AND $\pm 1^{\circ}\text{C}$ ACCURACY

## Monitor and Protect Your System with Dual Remote-Junction, Local Temperature Sensing, and a 4-Channel Voltage Monitor

The MAX6655 and MAX6656 measure multiple system temperatures. They also monitor three external voltages and their own supply voltage. Each device has an  $\overline{\text{ALERT}}$  interrupt output which asserts when temperature or voltage falls outside the user-programmable limits. An additional  $\overline{\text{OVERT}}$  comparator output can be used for system shutdown when temperature exceeds safe system operating limits.



- ◆  $\pm 1^{\circ}\text{C}$  (max) Remote-Junction Accuracy ( $+70^{\circ}\text{C} \leq T_{\text{RJ}} \leq 100^{\circ}\text{C}$ )
- ◆  $\pm 1.5^{\circ}\text{C}$  (max) Local-Junction Accuracy ( $+60^{\circ}\text{C} \leq T_{\text{A}} \leq 100^{\circ}\text{C}$ )
- ◆ 10-Bit +sign,  $0.125^{\circ}\text{C}$  Resolution
- ◆ 1% Voltage Monitoring Accuracy
- ◆ 8-Bit Voltage Monitoring Resolution
- ◆ Lockup-Free SMBus™/I<sup>2</sup>C™-Compatible Interface
- ◆ Programmable Alarm Temp Thresholds

PART	SUPPLY VOLTAGE (V)	V <sub>IN1</sub> (V)	V <sub>IN2</sub> (V)	V <sub>IN3</sub> (V)	PIN-PACKAGE	ORDERING INFORMATION	PRICE† (\$)
MAX6655	5.0	12	3.3	2.5	16-QSOP	MAX6655MEE	2.74
MAX6656	3.3	12	5.0	2.5	16-QSOP	MAX6656MEE	2.74

SMBus is a trademark of Intel Corp. I<sup>2</sup>C is a trademark of Philips Corp.

† 1,000-up recommended resale, FOB USA. Prices provided are for design guidance and are for the lowest grade, commercial temperature parts. International prices will differ due to local duties, taxes, and exchange rates. Prices are subject to change. Not all packages are offered in 1k increments, and some may require minimum order quantities.



**FREE D/A Converters Design Guide—Sent Within 24 Hours!**  
Includes: Reply Cards for Free Samples and Data Sheets

CALL TOLL-FREE 1-800-998-8800 for a Design Guide or Free Sample  
6:00 a.m. – 6:00 p.m. Pacific Time

**MAXIM**  
www.maxim-ic.com

2001 EDITION!  
FREE FULL-LINE DATA CATALOG  
ON CD-ROM



**MAXIM/DALLAS DIRECT!**  
DISTRIBUTION  
1-888-MAXIM-IC

**ARROW**  
ARROW ELECTRONICS, INC.  
1-800-777-2776

**AVNET**  
electronics marketing  
1-800-332-8638

Maxim Integrated Products, 120 San Gabriel Drive, Sunnyvale, CA 94086, (408) 737-7600, FAX (408) 737-7194.

Distributed by Maxim/Dallas Direct!, Arrow, Avnet Electronics Marketing, Digi-Key, and Newark.  
Distributed in Canada by Arrow and Avnet Electronics Marketing.

MAXIM is a registered trademark of Maxim Integrated Products, Inc. © 2001 Maxim Integrated Products.