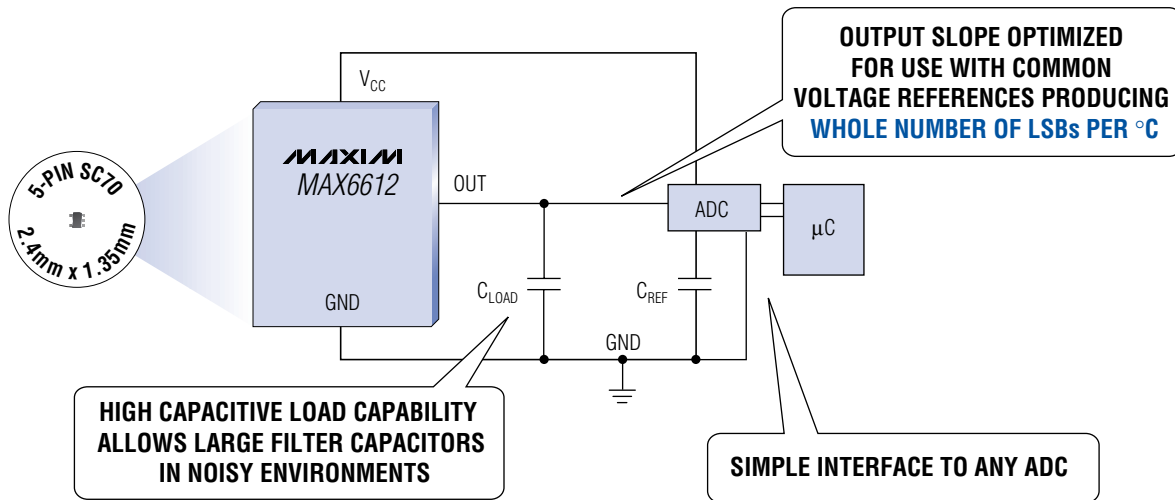


FIRST ANALOG TEMPERATURE SENSOR OPTIMIZED FOR USE WITH ADCs

High 19.53mV/°C Output Provides Better Signal-to-Noise Ratio for Greater Temperature Resolution



- ◆ 19.53mV/°C Output for Greatest ADC Resolution and Lowest Noise
- ◆ ± 1°C Accuracy (+25°C)
- ◆ -55°C to +150°C Operation
- ◆ Low Supply Current (35μA max)
- ◆ Drives High Capacitive Loads—Simplifies Design
- ◆ Tiny SC70 Package

PART	TEMP RANGE (°C)	OUTPUT (mV/V)	ACCURACY (+25°C)	VOLTAGE RANGE (V)	SUPPLY CURRENT (μA, TYP)	PIN-PACKAGE	PRICE† (\$)
MAX6612	-55 to +150	19.53	± 1.0	2.4 to 5.5	20	5-SC70	0.45

†2.5k piece price provided is for design guidance and is FOB USA. International prices will differ due to local duties, taxes, and exchange rates. Not all packages are offered in 1k increments, and some may require minimum order quantities.



FREE Temp Sensors Design Guide—Sent Within 24 Hours!

CALL TOLL-FREE 1-800-998-8800 (6:00 a.m. – 6:00 p.m. PST)

For a Design Guide or Free Sample

MAXIM

www.maxim-ic.com

2002 EDITION!
FREE FULL-LINE DATA CATALOG
ON CD-ROM



MAXIM/DALLAS SEMICONDUCTOR
DIRECT!
DISTRIBUTION

1-888-MAXIM-IC

ARROW

ARROW ELECTRONICS, INC.
1-800-777-2776

AVNET
CILICON

1-800-332-8638

Distributed by Maxim/Dallas Direct!, Arrow, Avnet Electronics Marketing, Digi-Key, and Newark.
MAXIM is a registered trademark of Maxim Integrated Products, Inc. © 2003 Maxim Integrated Products.