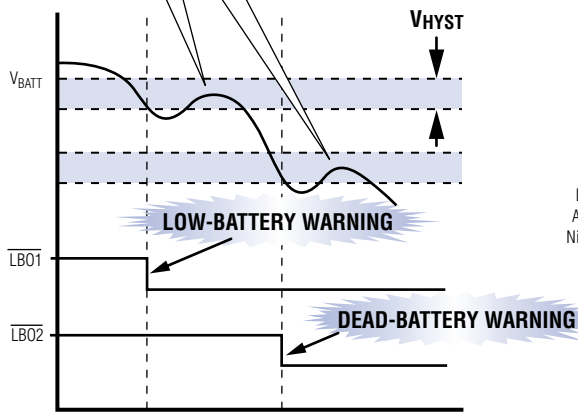


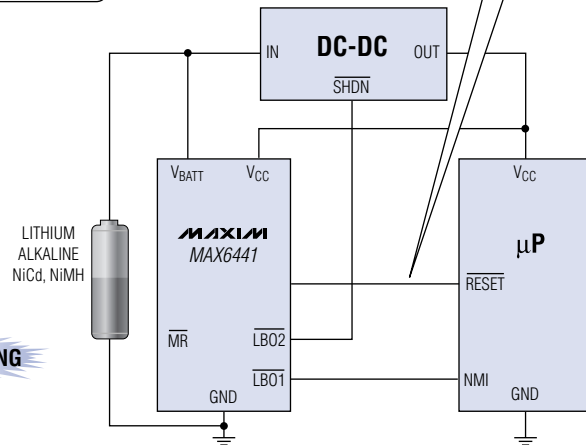
SINGLE-/DUAL-LEVEL BATTERY MONITORS WITH INTERNAL HYSTERESIS STOPS CHATTERING

No External Components

WHEN BATTERY LOADS ARE DISCONNECTED, BATTERY VOLTAGE RECOVERS. THE SYSTEM MAY TRY TO POWER UP AS THE LOAD RECONNECTS, ONLY TO SIGNAL ANOTHER LOW-BATTERY EVENT AND BEGIN CHATTERING. HYSTERESIS ELIMINATES CHATTERING.

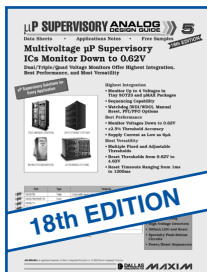


MAX6439-42 INCLUDE V_{CC} RESET FUNCTION INDEPENDENT OF BATTERY MONITOR.



Maxim Offers a Full Line of Tiny, Ultra-Low-Power Battery Monitors for Portable Applications

Part	Features
MAX6427-MAX6438	1 μ A, SOT23, Single-/Dual-Level Battery Monitors with Hysteresis
MAX6439-MAX6442	Single-/Dual-Level Battery Monitors with Independent V_{CC} Reset Function
MAX6461-MAX6466	1 μ A, SC70 Voltage Detectors with Internal 5% Hysteresis



FREE μP Supervisory Design Guide—Sent Within 24 Hours!
Includes Sample Request Form

CALL TOLL-FREE 1-800-998-8800 for a Design Guide or Free Sample
6:00 a.m. – 6:00 p.m. Pacific Time

MAXIM
www.maxim-ic.com

2002 EDITION!
FREE FULL-LINE DATA CATALOG
ON CD-ROM



MAXIM/DALLAS SEMICONDUCTOR
DIRECT!
DISTRIBUTION

1-888-MAXIM-IC

ARROW

ARROW ELECTRONICS, INC.
1-800-777-2776

cilicon

An Annet Company

1-800-332-8638

Maxim Integrated Products, 120 San Gabriel Drive, Sunnyvale, CA 94086, (408) 737-7600, FAX (408) 737-7194.

Distributed by Maxim/Dallas Direct!, Arrow, Avnet Electronics Marketing, Digi-Key, and Newark.

Distributed in Canada by Arrow and Avnet Electronics Marketing.

MAXIM is a registered trademark of Maxim Integrated Products, Inc. © 2002 Maxim Integrated Products.