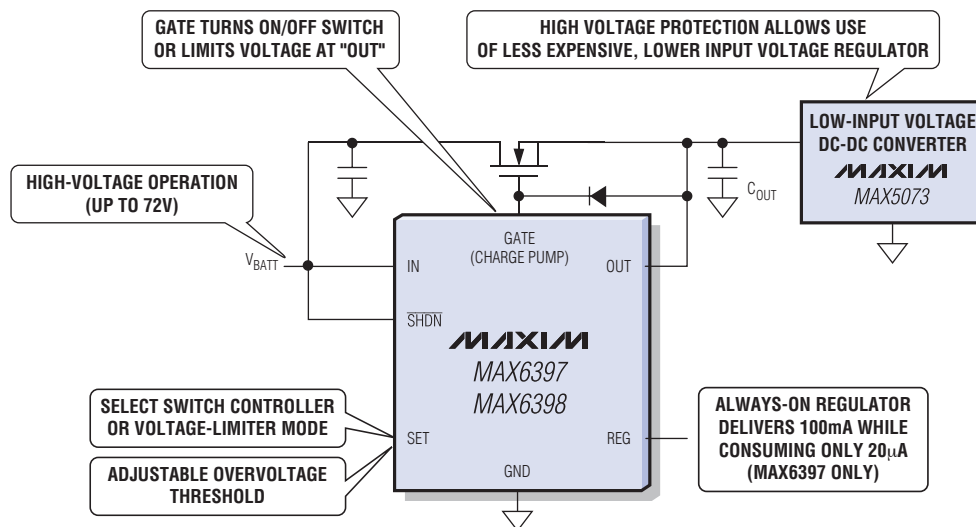
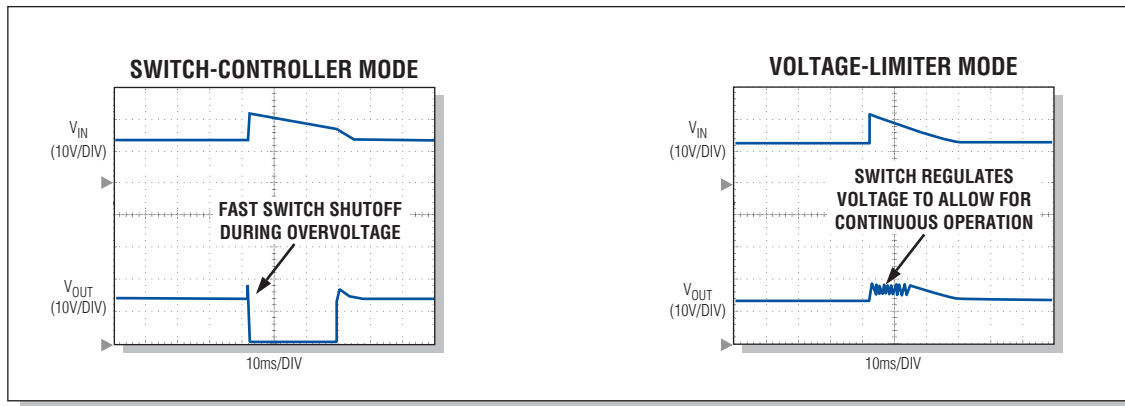


FIRST INTEGRATED, 72V OVERVOLTAGE PROTECTORS IDEAL FOR AUTOMOTIVE APPLICATIONS



Part	Configuration	Unique Features	Temp Range (°C)	Package
MAX6397	Controller/limiter	Always-on regulator	-40 to +125	8-TDFN (3mm x 3mm)
MAX6398	Controller/limiter	—	-40 to +125	6-TDFN (3mm x 3mm)
MAX6399	Controller	UV monitoring, POK indicator	-40 to +125	8-TDFN (3mm x 3mm)

MAXIM

www.maxim-ic.com

FREE Automotive Design Guide—Sent Within 24 Hours!

CALL TOLL FREE 1-800-998-8800 (6:00 a.m.–6:00 p.m. PT)

For a Design Guide or Free Sample

**MAXIM/DALLAS
DIRECT!**
DISTRIBUTION
1-888-MAXIM-IC

ARROW
ARROW ELECTRONICS, INC.
1-800-777-2776

AVNET
electronics marketing
1-800-332-8638

Distributed by Maxim/Dallas Direct!, Arrow, Avnet Electronics Marketing, Digi-Key, and Newark.

The Maxim logo is a registered trademark of Maxim Integrated Products, Inc. The Dallas Semiconductor logo is a registered trademark of Dallas Semiconductor Corp.

© 2005 Maxim Integrated Products, Inc. All rights reserved.