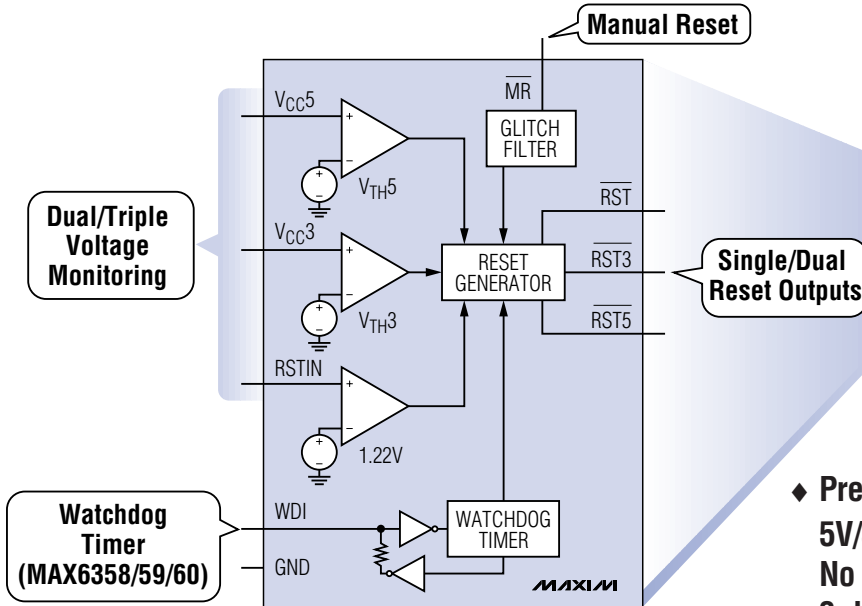


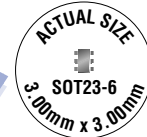
WORLD'S FIRST MULTIPLE VOLTAGE SUPERVISORS IN A SOT PACKAGE

Include Manual Reset Plus Watchdog or Dual Reset Outputs

YOU GET ALL THIS...



...IN THIS!



- ◆ Precise Dual Monitoring of 5V/3.3V/3V/2.5V Rails with No External Components; Monitor 3rd Adjustable Voltage Down to 1.22V
- ◆ $\pm 2.5\%$ Threshold Voltage Accuracy Over Temperature
- ◆ Two Reset Outputs Available for Dual Rail Monitoring (MAX6351)
- ◆ 100ms min Power-On Reset Pulse Width
- ◆ Watchdog Timer with 1.6sec min Timeout After 25.6sec min Initial Timeout (MAX6358/59/60)
- ◆ Debounced Manual Reset Input

PART	NUMBER OF SUPPLIES MONITORED	RESET OUTPUT			WATCHDOG TIMER	MANUAL RESET	PACKAGE
		5V RESET	3V RESET	OPEN-DRAIN RESET			
MAX6351	2	✓	✓			✓	SOT23-6
MAX6352	2			✓		✓	SOT23-5
MAX6353	2	✓				✓	SOT23-5
MAX6354	2		✓			✓	SOT23-5
MAX6355	3			✓		✓	SOT23-6
MAX6356	3	✓				✓	SOT23-6
MAX6357	3		✓			✓	SOT23-6
MAX6358	2			✓	✓	✓	SOT23-6
MAX6359	2	✓			✓	✓	SOT23-6
MAX6360	2		✓		✓	✓	SOT23-6



FREE μ P Supervisory Design Guide – Sent Within 24 Hours!
Includes: Data Sheets and Cards for Free Samples

CALL TOLL-FREE 1-800-998-8800 for a Design Guide or Free Sample
6:00 a.m. – 6:00 p.m. Pacific Daylight Time

1999 EDITION!
FREE FULL-LINE DATA CATALOG
ON CD-ROM



MAXIM
www.maxim-ic.com



For Small-Quantity Orders Call (800) 835-8769 or Visit <http://www.maxim-ic.com>

MasterCard® and Visa® are accepted for evaluation kits and small-quantity orders.

Maxim Integrated Products, 120 San Gabriel Drive, Sunnyvale, CA 94086, (408) 737-7600, FAX (408) 737-7194.

Distributed by Arrow, CAM RPC, Digi-Key, Elmo, Marshall, Nu Horizons, and Zeus.
Distributed in Canada by Arrow and Marshall.

MAXIM is a registered trademark of Maxim Integrated Products. © 1999 Maxim Integrated Products.