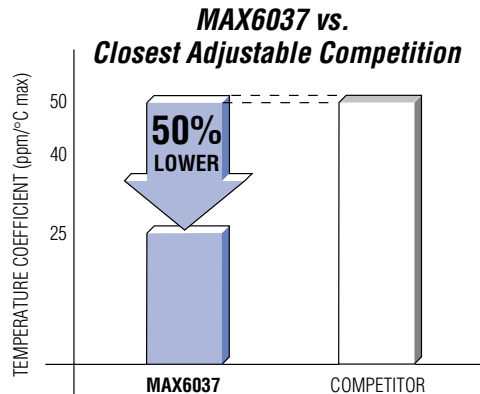
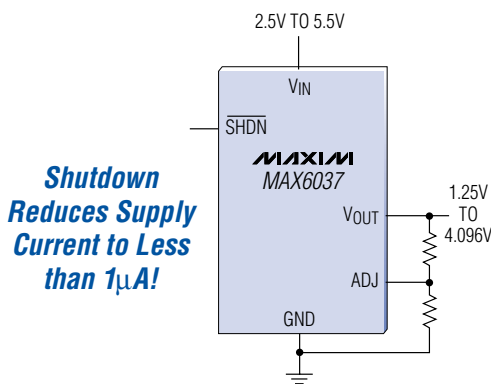


WORLD'S MOST ACCURATE ADJUSTABLE REFERENCE ALSO HAS SHUTDOWN

25ppm/°C (max) Tempco and 0.2% (max) Initial Accuracy



- ◆ 1.25V to 4.096V Adjustable Output
- ◆ Fixed 1.25V, 2.048V, 2.5V, 3V, 4.096V, and 5V Output Voltages
- ◆ Shutdown Mode to Less than 1µA
- ◆ Low 25ppm/°C (max) Temp Drift
- ◆ Tight 0.2% (max) Initial Accuracy
- ◆ Low 200mV Dropout Voltage
- ◆ Output Sources and Sinks Up to 5mA
- ◆ Tiny SOT23 Package

Part	Output Voltage (V)	Temperature Coefficient (ppm/°C, max)			Initial Accuracy (% max)			Price† (\$)		
		A	B	C	A	B	C	A	B	C
MAX6037	1.25	25	50	50	0.2	0.5	0.5	1.29	1.00	0.85
	2.048									
	2.5									
	3									
	4.096									
	5									
	Adj. (1.25 to 4.096)									

†1000-up piece price provided is for design guidance and is FOB USA. International prices will differ due to local duties, taxes, and exchange rates. Not all packages are offered in 1k increments, and some may require minimum order quantities.



www.maxim-ic.com

FREE Reference Design Guide—Sent Within 24 Hours!

CALL TOLL-FREE 1-800-998-8800 (6:00 a.m.—6:00 p.m. PT)

For a Design Guide or Free Sample



Distributed by Maxim/Dallas Direct!, Arrow, Avnet Electronics Marketing, Digi-Key, and Newark.

MAXIM is a registered trademark of Maxim Integrated Products, Inc. © 2004 Maxim Integrated Products.