

-48V HOT-SWAP CONTROLLER MAXIMIZES RELIABILITY

Requires No Sense Resistor

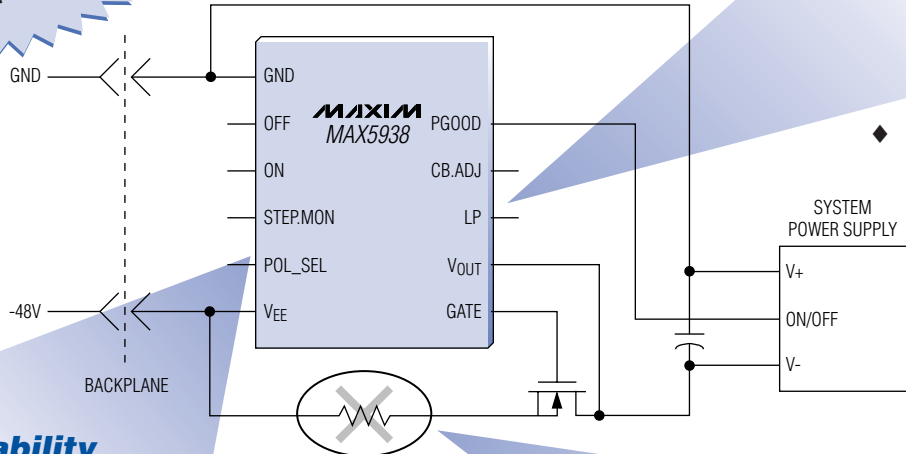
Optimized for High Reliability, Low Cost, and Superior Flexibility

2 Superior Flexibility

- ◆ Adjustable Circuit-Breaker Threshold and Inrush Current Control Allow Wide Choice of External MOSFETs and Load Currents
- ◆ Choice of Autoretry or Latched Fault Management

BEATS COMPETITION 3 WAYS!

For All Your Hot-Swap Needs, Visit:
www.maxim-ic.com/hotswap



1 High Reliability

- ◆ Input-Voltage Step Detector vs. None in LT1640 Provides Immunity from Input Voltage Steps
- ◆ 8x Faster GATE Pull-Down Current Provides Faster MOSFET Turn-Off to Overcurrent and Short-Circuit Conditions
- ◆ Load Probe™ Feature Prevents Turn-On into a Shorted Load Without R_{SENSE}

NO
R_{SENSE}
REQUIRED

3 Low Cost

- ◆ Requires No Sense Resistor
- ◆ Requires 7 Fewer External Components vs. LT1640
- ◆ Priced at \$1.27[†]

Part	Circuit-Breaker Threshold (mV)	Fault Management	PGOOD Enable Logic	Pin-Package	Price [†] (\$)
MAX5936	100/200/400/none	Latched off/autoretry	Active low	8-SO	1.27
MAX5937	100/200/400/none	Latched off/autoretry	Active high	8-SO	1.27
MAX5938	Adjustable	Latched off/autoretry	Selectable	16-QSOP	1.40

[†]1000-up recommended resale. Prices provided are for design guidance and are FOB USA. International prices will differ due to local duties, taxes, and exchange rates. Not all packages are offered in 1k increments, and some may require minimum order quantities. Load Probe is a trademark of Maxim Integrated Products, Inc.



www.maxim-ic.com

FREE Power Supplies Design Guide—Sent Within 24 Hours!

CALL TOLL-FREE 1-800-998-8800 (6:00 a.m.—6:00 p.m. PT)

For a Design Guide or Free Sample



Distributed by Maxim/Dallas Direct!, Arrow, Avnet Electronics Marketing, Digi-Key, and Newark.

The Maxim logo is a registered trademark of Maxim Integrated Products, Inc. The Dallas Semiconductor logo is a registered trademark of Dallas Semiconductor Co. (c) 2004 Maxim Integrated Products, Inc. All rights reserved.