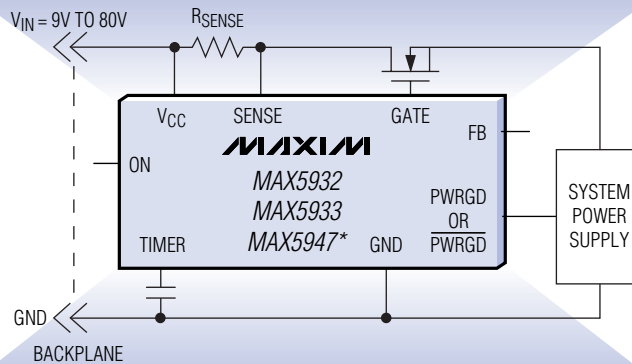


# HIGH-VOLTAGE, POSITIVE-RAIL, HOT-SWAP CONTROLLERS ARE DROP-IN REPLACEMENTS FOR LT1641 ICs

Choose

Part	Description	Second Source
MAX5932	+9V to +80V hot-swap controller with latched OFF fault management	LT1641-1
MAX5947B*	+9V to +80V hot-swap controller with autoretry fault management	LT1641-2



Contact Factory for Availability and Competitive Pricing!

## Improved, Pin-Compatible LT1641 Replacements

OR...

Part	Feature and Benefit	LT1641
MAX5933/5947*	<b>Feature:</b> → Available with 8.3V or 31V default UVLO. <b>Benefit:</b> → Eliminates external resistor-divider for +48V systems.	8.3V only
	<b>Feature:</b> → Choice of active-low or active-high PWRGD. <b>Benefit:</b> → Eliminates external inverter for active-low PWRGD polarity.	Active-high only

\*Future product—contact factory for availability.



www.maxim-ic.com

**FREE Power Supplies Design Guide—Sent Within 24 Hours!**

CALL TOLL-FREE 1-800-998-8800 (6:00 a.m.—6:00 p.m. PT)

For a Design Guide or Free Sample



Distributed by Maxim/Dallas Direct!, Arrow, Avnet Electronics Marketing, Digi-Key, and Newark.

MAXIM is a registered trademark of Maxim Integrated Products, Inc. DALLAS is a registered trademark of Dallas Semiconductor Corp.  
© 2004 Maxim Integrated Products, Inc. All Rights Reserved.