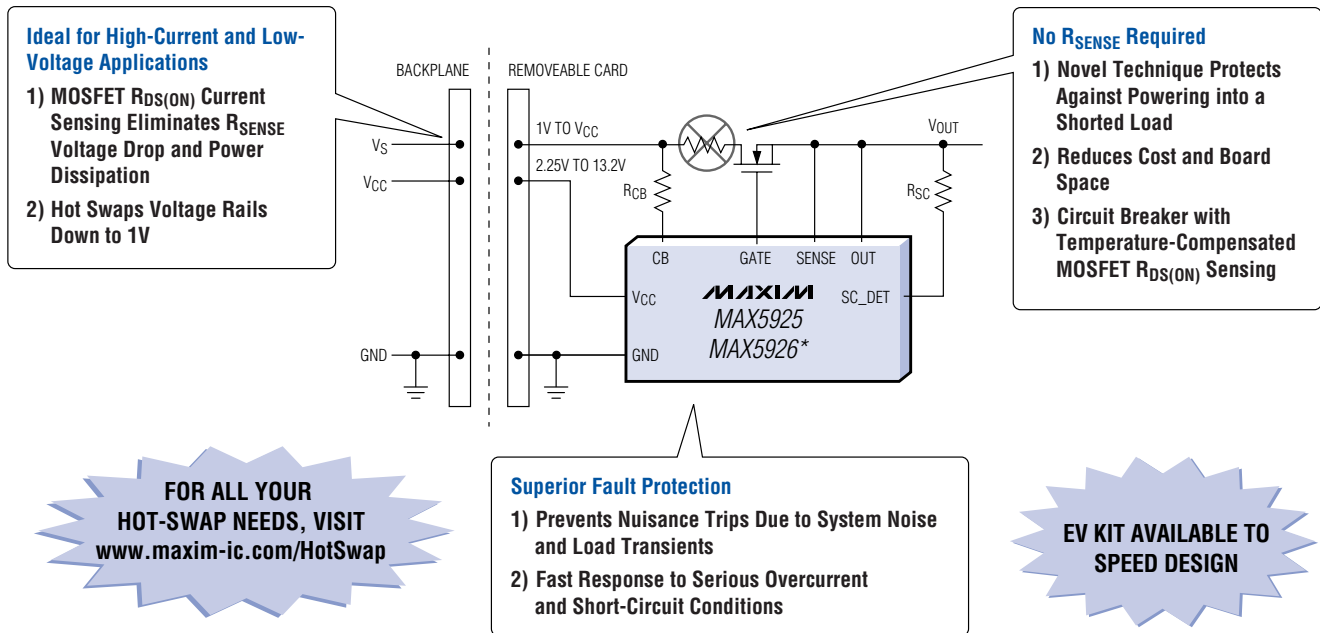


WORLD'S FIRST LOW-VOLTAGE HOT-SWAP CONTROLLER REQUIRES NO SENSE RESISTOR

Provides Robust Overcurrent and Short-Circuit Protection
for +1V to +13.2V Supply Rails



Part	Circuit-Breaker TEMPCO (ppm/°C)	Fault Management	Package	Price† (\$)
MAX5924	0	Latched or autoretry	10- μ MAX	1.07
MAX5925	3300	Latched or autoretry	10- μ MAX	1.07
MAX5926*	0 or 3300 (user selectable)	Latched or autoretry (user selectable)	16-QSOP	1.37

†1000-up recommended resale. Price provided is for design guidance and is FOB USA. International prices will differ due to local duties, taxes, and exchange rates. Not all packages are offered in 1k increments, and some may require minimum order quantities.

*Future product—contact factory for availability.



www.maxim-ic.com

FREE Power Supplies Design Guide—Sent Within 24 Hours!

CALL TOLL-FREE 1-800-998-8800 (6:00 a.m.—6:00 p.m. PT)

For a Design Guide or Free Sample



Distributed by Maxim/Dallas Direct!, Arrow, Avnet Electronics Marketing, Digi-Key, and Newark.

The Maxim logo is a registered trademark of Maxim Integrated Products, Inc. The Dallas Semiconductor logo is a registered trademark of Dallas Semiconductor Co

(c) 2004 Maxim Integrated Products, Inc. All rights reserved.