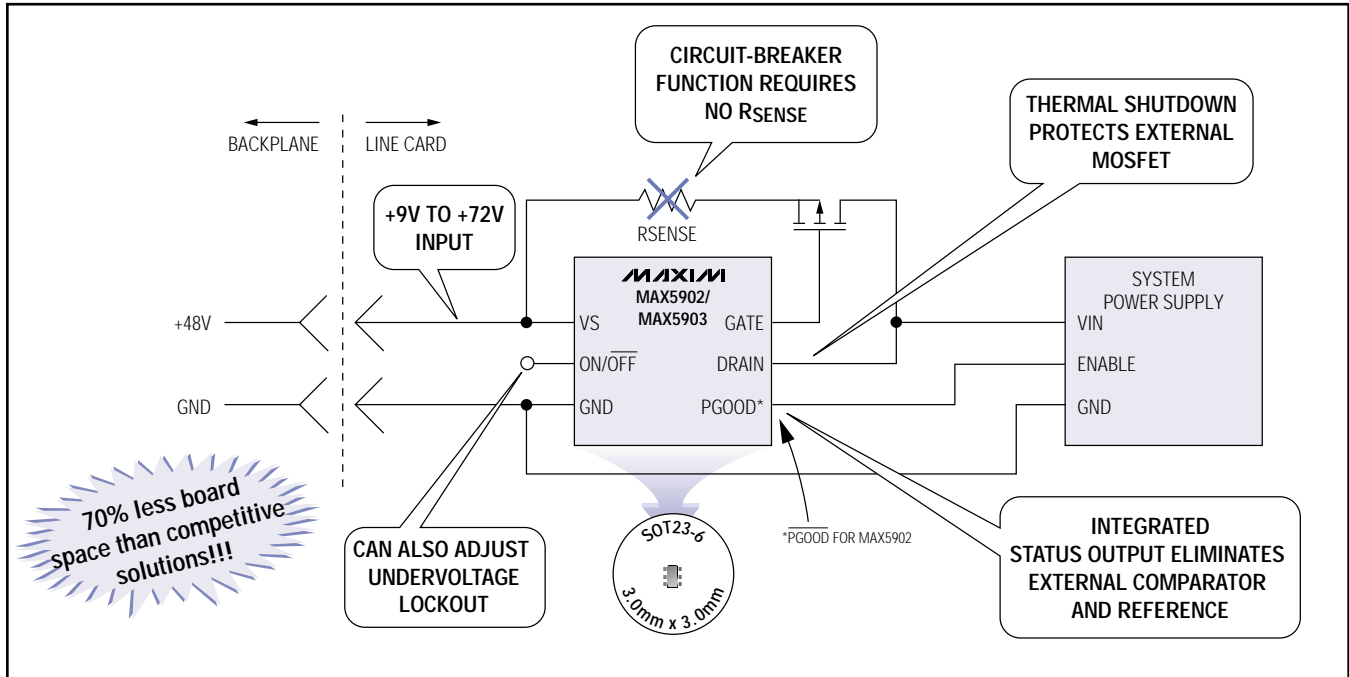


INDUSTRY'S SMALLEST HIGH-VOLTAGE HOT-SWAP CONTROLLERS IN SOT23

Simple Swapper™ Hot-Swap Controller Requires No External Sense Resistor!



Four Reasons Your Best Choice!

- 1) **SIMPLEST AND SMALLEST DESIGN**
 - ◆ Requires Only One External Component (MOSFET)
 - ◆ Requires No External Sense Resistor
 - ◆ Small 6-Pin SOT23 Package
- 2) **HIGHEST INTEGRATION**
 - ◆ Power Good Output Monitors System Status
 - ◆ On/Off Control
 - ◆ Built-In Undervoltage Lockout (UVLO)
- 3) **HIGHEST RELIABILITY**
 - ◆ Limits Inrush Current
 - ◆ Circuit-Breaker Function Disables MOSFET During Over-Current Conditions
 - ◆ Thermal Shutdown Protects External MOSFET
 - ◆ Operates at Extended -45°C to +85°C Temperature
- 4) **FLEXIBILITY OF APPLICATION**
 - ◆ 300mV, 400mV or 500mV Circuit-Breaker Thresholds Allow Wide Choice of External MOSFET and Load Current
 - ◆ Choice of Auto-Retry or Latched Fault Management
 - ◆ Power Supply Sequencing (Use On/Off Pin)
 - ◆ Programmable UVLO Threshold (Use On/Off Pin)

Simple Swapper is a trademark of Maxim Integrated Products, Inc.

2001 EDITION!
FREE FULL-LINE DATA CATALOG
ON CD-ROM



CALL TOLL-FREE 1-800-998-8800 for a Design Guide or Free Sample
6:00 a.m. – 6:00 p.m. Pacific Time

MAXIM
www.maxim-ic.com



NEW! Get Price, Delivery, and Place Orders
Online at www.maxim-ic.com

Maxim Integrated Products, 120 San Gabriel Drive, Sunnyvale, CA 94086, (408) 737-7600, FAX (408) 737-7194.
Distributed by Maxim/Dallas Direct!, Arrow, Avnet Electronics Marketing, CAM RPC, Digi-Key, Elmo, Nu Horizons, and Zeus.
Distributed in Canada by Arrow and Avnet Electronics Marketing.

MAXIM is a registered trademark of Maxim Integrated Products, Inc. © 2001 Maxim Integrated Products.