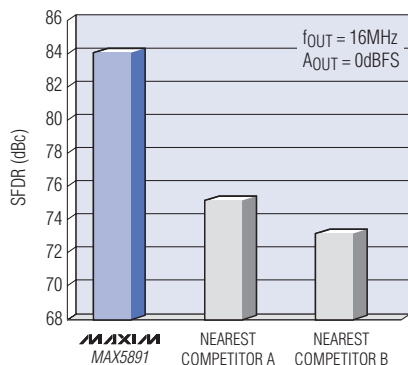


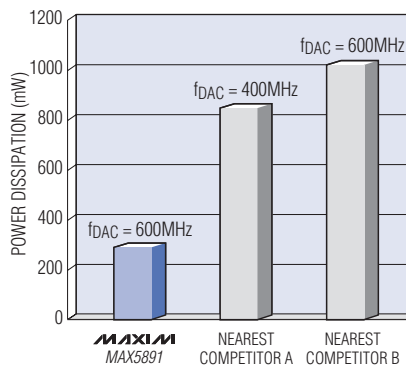
16-BIT, 600MSPS DAC DELIVERS INDUSTRY'S BEST SFDR, IMD AT THE LOWEST POWER

High-Speed 12-/14-/16-Bit DACs Are Ideal for Broadband Communications and Instrumentation

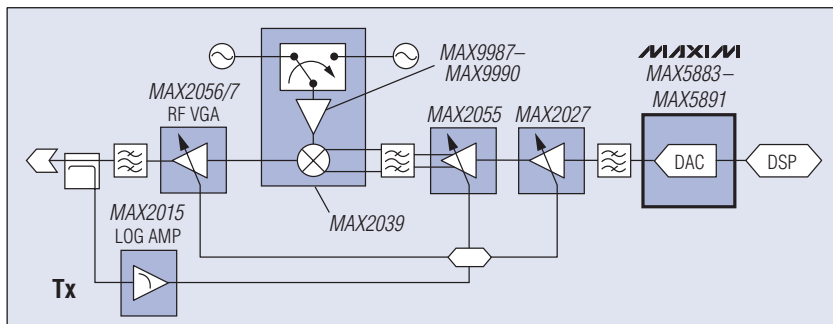
SUPERIOR SPURIOUS-FREE DYNAMIC RANGE



INDUSTRY'S LOWEST POWER AT FAST UPDATE RATES



IDEAL FOR BASE-STATION TRANSMITTERS



Part	Resolution (Bits)	Update Rate (MSPS)
MAX5891	16	600
MAX5890	14	
MAX5889	12	
MAX5888	16	500
MAX5887	14	
MAX5886	12	
MAX5885	16	200
MAX5884	14	
MAX5883	12	

- ◆ Outstanding Dynamic Performance
 - ◆ SFDR = 84dBc at $f_{OUT} = 16\text{MHz}$
 - ◆ Two-Tone IMD = -94dBc at $f_{OUT} = 30\text{MHz}$
 - ◆ Noise Density = -163dBFS/Hz at $f_{OUT} = 36\text{MHz}$
 - ◆ ACLR = 73dB at $f_{OUT} = 123\text{MHz}$
- ◆ Low-Power Operation: 298mW at 600MSPS
- ◆ Pin-Compatible 12-/14-/16-Bit Versions
- ◆ LVDS and CMOS Input Interface Options
- ◆ Evaluation Kits Available



www.maxim-ic.com/hsc-dac

FREE High-Speed ADC/DAC/AFE Design Guide—Sent Within 24 Hours!

CALL TOLL FREE 1-800-998-8800 (6:00 a.m.–6:00 p.m. PT)

For a Design Guide or Free Sample



Distributed by Maxim/Dallas Direct!, Arrow, Avnet Electronics Marketing, Digi-Key, and Newark.

The Maxim logo is a registered trademark of Maxim Integrated Products, Inc. The Dallas Semiconductor logo is a registered trademark of Dallas Semiconductor Corp.

© 2005 Maxim Integrated Products, Inc. All rights reserved.