



A/D

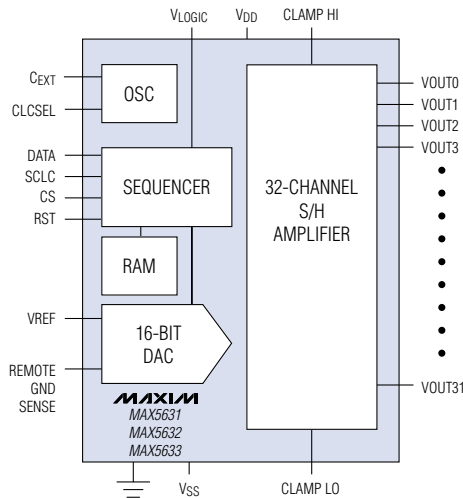
1101101

D/A

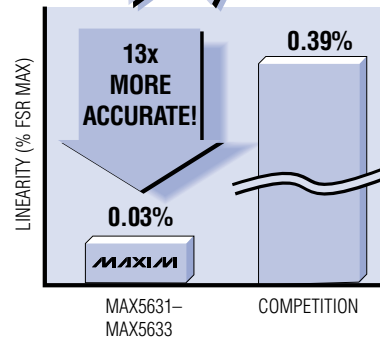
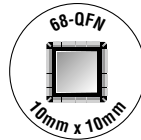
MAXIM
DATA CONVERTERS

WORLD'S FIRST 16-BIT 32-CHANNEL D/A CONVERTER

Smallest 32-Channel DACs with 16-Bit Resolution for Servo Applications



**MAXIM OFFERS
THE MOST ACCURATE
32-CHANNEL DAC!!**



- ◆ **Highly Accurate, Highly Integrated Multichannel Solution**
- ◆ **Ultra-Small 10mm x 10mm QFN Package and 12mm x 12mm TQFP Package**
- ◆ **Available in 3 Output Impedances: 50Ω (MAX5631), 500Ω (MAX5632) and 1kΩ (MAX5633)**

- ◆ **Applications:**
 - ◆ **Optical Networking—All Optical Switching**
 - ◆ **Industrial Process Control**
 - ◆ **Automatic Test Equipment**
- ◆ **Priced at \$49.95†**

† 1,000-up recommended resale, FOB USA. Prices provided are for design guidance and are for the lowest grade, commercial temperature parts. International prices will differ due to local duties, taxes, and exchange rates. Prices are subject to change. Not all packages are offered in 1k increments, and some may require minimum order quantities.



FREE D/A Converters Design Guide—Sent Within 24 Hours!
Includes: Reply Cards for Free Samples and Data Sheets

CALL TOLL-FREE 1-800-998-8800 for a Design Guide or Free Sample
6:00 a.m. – 6:00 p.m. Pacific Time

MAXIM
www.maxim-ic.com

2001 EDITION!
FREE FULL-LINE CATALOG
ON CD-ROM



MAXIM DALLAS SEMICONDUCTOR
DIRECT!
DISTRIBUTION
1-888-MAXIM-IC

ARROW
ARROW ELECTRONICS, INC.
1-800-777-2776

AVNET
electronics marketing
1-800-332-8638

Maxim Integrated Products, 120 San Gabriel Drive, Sunnyvale, CA 94086, (408) 737-7600, FAX (408) 737-7194.

Distributed by Maxim/Dallas Direct!, Arrow, Avnet Electronics Marketing, Digi-Key, and Newark.

Distributed in Canada by Arrow and Avnet Electronics Marketing.

MAXIM is a registered trademark of Maxim Integrated Products, Inc. © 2001 Maxim Integrated Products.