

# WORLD'S ONLY 1.8V DACs ALSO HAVE LOWEST POWER

## Consume Only 5µA/DAC and Have Internal Reference

The MAX5510–MAX5515, MAX5520–MAX5525, and the MAX5530–MAX5535 family of voltage output D/A converters are the world's lowest power and operate with a wide single-supply voltage range of 1.8V to 5.5V. An integrated low-power, precision voltage reference saves even more space. These DACs maximize battery life in medical and other low-power portable devices.



BLOOD GLUCOSE METERS



CHEMICAL GAS SENSORS

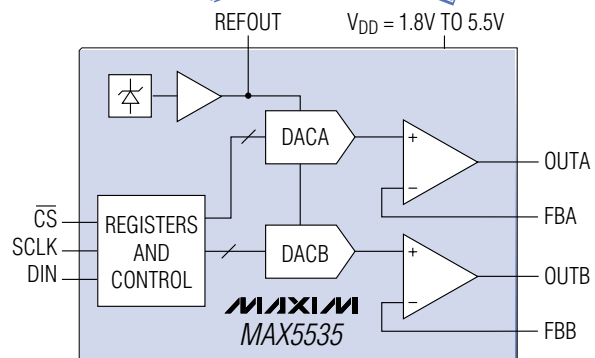


BATTERY-POWERED CONSUMER ELECTRONICS

REFERENCE OUTPUT SOURCES AS MUCH AS 8mA

INPUT CONSUMES AS LITTLE AS 5µA (max) OF SUPPLY CURRENT

- ◆ Ultra-Low 5µA (max) Supply Current
- ◆ Internal or External Voltage Reference
- ◆ Tiny 4mm x 4mm QFN or µMAX Package
- ◆ Wide 1.8V to 5.5V Single-Supply Range
- ◆ Flexible Force-Sense or Unity-Gain Output Configurations
- ◆ Single or Dual Channels
- ◆ 8-, 10-, 12-Bit Resolutions Guaranteed Monotonic
- ◆ Fast 16MHz SPI™-Compatible Serial Interface



Part	Resolution (Bits)	No. of Channels	Reference	Output Configuration	Pin-Package	Price† (\$)
MAX5510/11	8	1	Int, ext	F/S	12-QFN	1.47
MAX5512–15	8	2	Int, ext	F/S, x1	12-QFN, 10-µMAX	1.98
MAX5520/21	10	1	Int, ext	F/S	12-QFN	1.97
MAX5522–25	10	2	Int, ext	F/S, x1	12-QFN, 10-µMAX	2.65
MAX5530/31	12	1	Int, ext	F/S	12-QFN	3.97
MAX5532–35	12	2	Int, ext	F/S, x1	12-QFN, 10-µMAX	5.47

SPI is a trademark of Motorola, Inc.

†1000-up recommended resale. Prices provided are for design guidance and are FOB USA. International prices will differ due to local duties, taxes, and exchange rates. Not all packages are offered in 1k increments, and some may require minimum order quantities.



[www.maxim-ic.com](http://www.maxim-ic.com)

**FREE D/A Converters Design Guide—Sent Within 24 Hours!**

**CALL TOLL-FREE 1-800-998-8800 (6:00 a.m.–6:00 p.m. PT)**

**For a Design Guide or Free Sample**



Distributed by Maxim/Dallas Direct!, Arrow, Avnet Electronics Marketing, Digi-Key, and Newark.  
MAXIM is a registered trademark of Maxim Integrated Products, Inc. © 2004 Maxim Integrated Products.