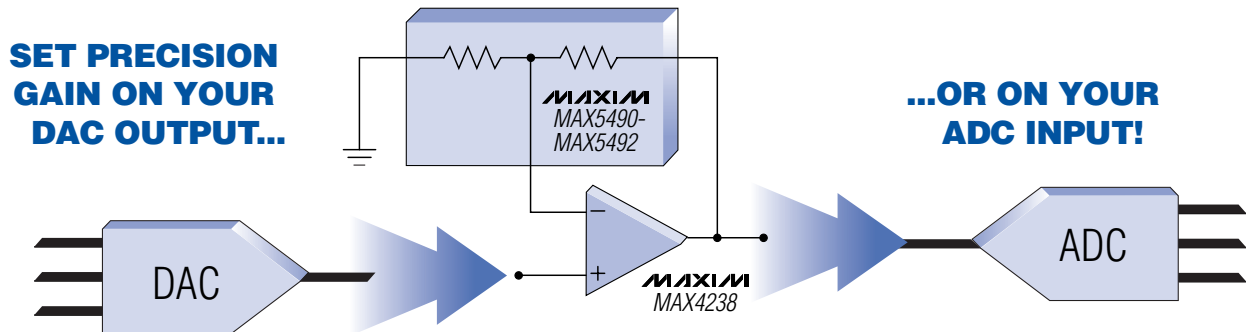


ONLY SOT23 RESISTOR-DIVIDER WITH $\pm 2\text{kV}$ ESD PROTECTION

Ultra-Low 2ppm/ $^{\circ}\text{C}$ Temperature Drift!

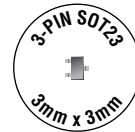
The MAX5490–MAX5492 are comprised of two precision-matched thin-film resistors that guarantee ultra-precise ratio initial accuracy less than 0.035% and very low drift of 2ppm/ $^{\circ}\text{C}$ over -40°C to $+85^{\circ}\text{C}$. To enhance device and system robustness, the MAX5490–MAX5492 also include $\pm 2\text{kV}$ human body model ESD protection superior to competitive devices that only protect up to several hundred volts ESD. These new voltage dividers are an excellent choice for low-drift gain/attenuation circuits where output accuracy is essential such as industrial process control, instrumentation, basestations, and medical devices.



- ◆ Excellent Ratio Accuracy
 - ◆ 0.035% (Max) (A Grade)
 - ◆ 0.05% (Max) (B Grade)
 - ◆ 0.1% (Max) (C Grade)
- ◆ 2ppm/ $^{\circ}\text{C}$ Temperature Drift
- ◆ $\pm 2\text{kV}$ ESD Protection
- ◆ 3-Pin SOT23 Package
- ◆ Up to 50V Continuous Voltage

CUSTOM RATIOS AVAILABLE!

We Design to Any Value You Want



Part	End-to-End Resistance (k Ω)	Available Ratios	Ratio Tolerance (% max)			Price [†] (\$)
			A Grade	B Grade	C Grade	
MAX5490	10	1:1 to 10:1	0.035%	0.05%	0.1%	0.67
MAX5491	30	1:1 to 30:1				
MAX5492	100	1:1 to 100:1				

[†]1000-up recommended resale C grade. Prices provided are for design guidance and are FOB USA. International prices will differ due to local duties, taxes, and exchange rates. Not all packages are offered in 1k increments, and some may require minimum order quantities.



www.maxim-ic.com

FREE Digital Potentiometers Design Guide—Sent Within 24 Hours!

CALL TOLL-FREE 1-800-998-8800 (6:00 a.m.–6:00 p.m. PT)

For a Design Guide or Free Sample



Distributed by Maxim/Dallas Direct!, Arrow, Avnet Electronics Marketing, Digi-Key, and Newark.

MAXIM is a registered trademark of Maxim Integrated Products, Inc. © 2003 Maxim Integrated Products.