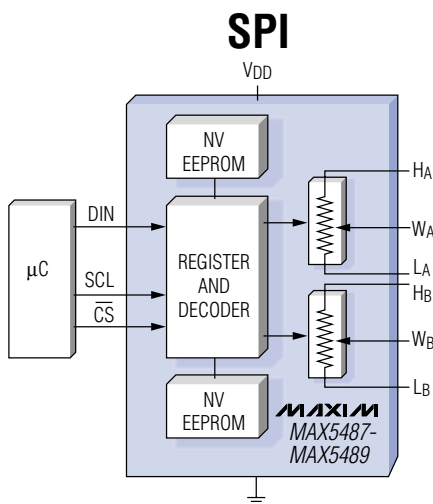
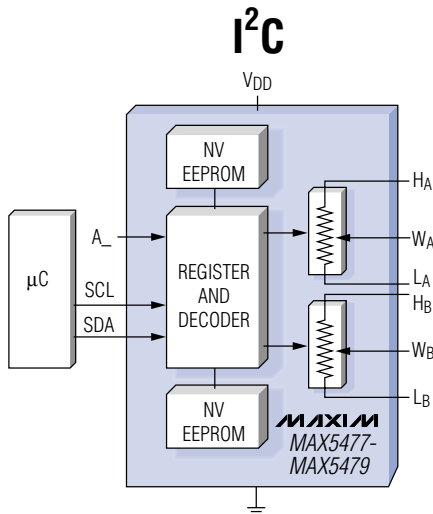


INDUSTRY'S SMALLEST DUAL, 256-TAP, NONVOLATILE DIGITAL POTS

Tiny 3mm x 3mm TQFN Package with I²C™ or SPI™ Interface



3x SMALLER
THAN THE COMPETITION



- ◆ Dual EEPROMs Store Last Wiper Positions Prior to Power-Down
- ◆ 35ppm/°C End-to-End Tempo
- ◆ 5ppm/°C Ratiometric Tempo
- ◆ Resistances (10kΩ, 50kΩ, 100kΩ)
- ◆ Single 2.7V to 5.25V Supply
- ◆ Consume 1µA (max) Supply

Part	Interface	End-to-End Resistance (kΩ)	Price† (\$)
MAX5477*	I ² C	10	1.87
MAX5478	I ² C	50	1.87
MAX5479	I ² C	100	1.87
MAX5487*	SPI	10	1.87
MAX5488	SPI	50	1.87
MAX5489*	SPI	100	1.87

I²C is a trademark of Philips Corp. Purchase of I²C components of Maxim Integrated Products, Inc., or one of its sublicensed Associated Companies, conveys a license under the Philips I²C Patent Rights to use these components in an I²C system, provided that the system conforms to the I²C Standard Specification as defined by Philips.

SPI is a trademark of Motorola, Inc.

†1000-up recommended resale. Price provided is for design guidance and is FOB USA. International prices will differ due to local duties, taxes, and exchange rates. Not all packages are offered in 1k increments, and some may require minimum order quantities.

*Future product—contact factory for availability.



www.maxim-ic.com

FREE Digital Potentiometers Design Guide—Sent Within 24 Hours!

CALL TOLL-FREE 1-800-998-8800 (6:00 a.m. — 6:00 p.m. PT)

For a Design Guide or Free Sample



Distributed by Maxim/Dallas Direct!, Arrow, Avnet Electronics Marketing, Digi-Key, and Newark.

The Maxim logo is a registered trademark of Maxim Integrated Products, Inc. The Dallas Semiconductor logo is a registered trademark of Dallas Semiconductor.

© 2004 Maxim Integrated Products, Inc. All rights reserved.