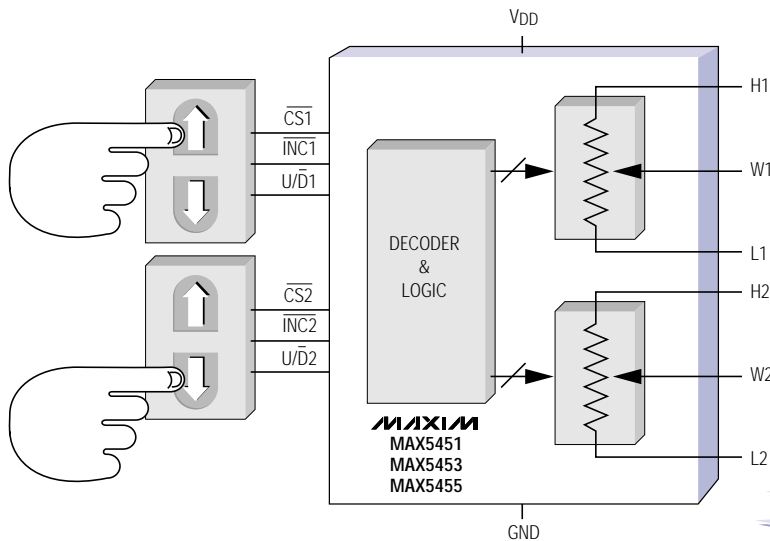


WORLD'S SMALLEST 256-TAP DUAL DIGITAL POTENTIOMETERS

Offer an Easy-to-Use Up/Down Interface

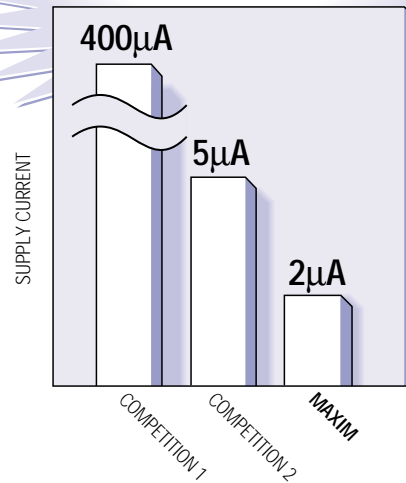


10-PIN μ MAX

Features:

- ◆ 256-Tap Positions
- ◆ Low End-to-End Resistor Tempco: 35ppm/°C
- ◆ 2 μ A Maximum Supply Current
- ◆ +2.7V to +5.5V Single Supply
- ◆ Power-On Reset to Midscale

ULTRA-LOW POWER



PART	PIN-PACKAGE	RESISTOR VALUES (k Ω)	PRICE (\$)*
MAX5450	10- μ MAX	10	1.60
MAX5451	14-TSSOP	10	1.60
MAX5452	10- μ MAX	50	1.60
MAX5453	14-TSSOP	50	1.60
MAX5454	10- μ MAX	100	1.60
MAX5455	14-TSSOP	100	1.60

*1000 pcs FOB USA



FREE D/A Converters Design Guide—Sent Within 24 Hours!
Includes: Reply Cards for Free Samples and Data Sheets

CALL TOLL-FREE 1-800-998-8800 for a Design Guide or Free Sample
6:00 a.m. – 6:00 p.m. Pacific Time

MAXIM
www.maxim-ic.com

2001 EDITION!
FREE FULL-LINE DATA CATALOG
ON CD-ROM



NEW! Get Price, Delivery, and Place Orders
Online at www.maxim-ic.com

Maxim Integrated Products, 120 San Gabriel Drive, Sunnyvale, CA 94086, (408) 737-7600, FAX (408) 737-7194.
Distributed by Maxim Distribution, Arrow, Avnet Electronics Marketing, CAM RPC, Digi-Key, Elmo, Nu Horizons, and Zeus.
Distributed in Canada by Arrow and Avnet Electronics Marketing.

MAXIM is a registered trademark of Maxim Integrated Products, Inc. © 2001 Maxim Integrated Products.