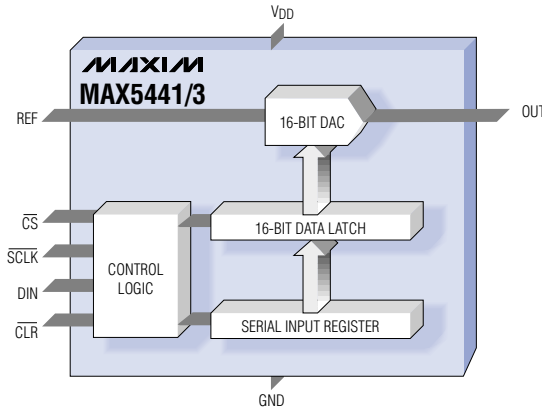
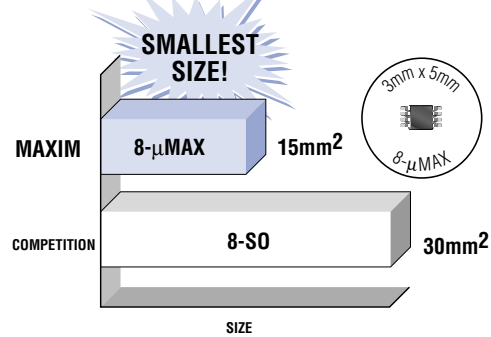
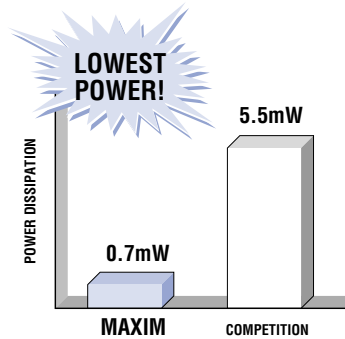


# LOWEST POWER 16-BIT DAC HAS SMALLEST FOOTPRINT

Only 16-Bit DAC to Operate from as Low as +2.7V



- ◆ Low 120 $\mu$ A Supply Current
- ◆ Rail-to-Rail<sup>®</sup> Output Swing
- ◆ Reference Voltage Range up to V<sub>DD</sub>
- ◆ +3V or +5V Single Supply
- ◆ Fast 1 $\mu$ s Settling Time
- ◆ Feedback Resistors for Bipolar Output Swing
- ◆ 25MHz SPI<sup>™</sup> Serial Interface



## Maxim Offers a Full Family of 16-Bit DACs

PART	RESOLUTION (BITS)	SUPPLY VOLTAGE (V)	OUTPUT SWING	PIN-PACKAGE
MAX5441	16	+4.5 to +5.5	Unipolar	8- $\mu$ MAX
MAX5442	16	+4.5 to +5.5	Bipolar	10- $\mu$ MAX
MAX5443	16	+2.7 to +3.6	Unipolar	8- $\mu$ MAX
MAX5444	16	+2.7 to +3.6	Bipolar	10- $\mu$ MAX

SPI is a trademark of Motorola, Inc. Rail to Rail is a registered trademark of Nippon Motorola, Ltd.

**FREE D/A Converters Design Guide—Sent Within 24 Hours!**  
Includes: Reply Cards for Free Samples and Data Sheets

CALL TOLL-FREE 1-800-998-8800 for a Design Guide or Free Sample  
6:00 a.m. – 6:00 p.m. Pacific Time

**MAXIM**  
www.maxim-ic.com

**NEW!** Get Price, Delivery, and Place Orders  
Online at [www.maxim-ic.com](http://www.maxim-ic.com)



2001 EDITION!  
FREE FULL-LINE DATA CATALOG  
ON CD-ROM

