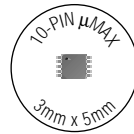
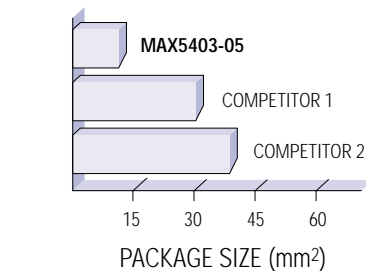
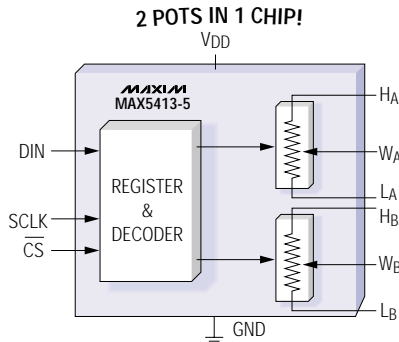




WORLD'S SMALLEST DUAL DIGITAL POTENTIOMETER

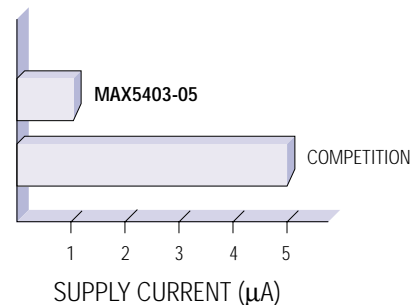
Lowest 1 μ A Supply Current



ACTUAL
SIZE!

FEATURES

- ◆ 256 Tap Positions
- ◆ Low Resistor Tempco: 35ppm/°C
- ◆ 1 μ A Supply Current
- ◆ +2.7V to +5.5V Single Supply
- ◆ 3-Wire SPI™ Compatible Interface
- ◆ Power-On Reset to Midscale



Available in Both 10- μ MAX and 14-TSSOP

PART	PIN-PACKAGE	RESISTOR VALUES (k Ω)	PRICE (\$)*
MAX5403	10- μ MAX	10	1.60
MAX5413	14-TSSOP	10	1.60
MAX5404	10- μ MAX	50	1.60
MAX5414	14-TSSOP	50	1.60
MAX5405	10- μ MAX	100	1.60
MAX5415	14-TSSOP	100	1.60



*1000-up recommended resale, FOB USA. SPI is a trademark of Motorola, Inc.
 μ PoT is a trademark of Maxim Integrated Products, Inc.

FREE D/A Converters Design Guide—Sent Within 24 Hours!
Includes: Reply Cards for Free Samples and Data Sheets

CALL TOLL-FREE 1-800-998-8800 for a Design Guide or Free Sample
 6:00 a.m. – 6:00 p.m. Pacific Time

MAXIM
www.maxim-ic.com

NEW! Get Price, Delivery, and Place Orders
 Online at www.maxim-ic.com



2000 EDITION!
 FREE FULL-LINE DATA CATALOG
 ON CD-ROM

