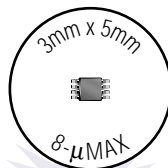


WORLD'S SMALLEST 256-TAP DIGITAL POTENTIOMETER

Area = 15mm²



μPoT™
10kΩ

Area = 9mm²

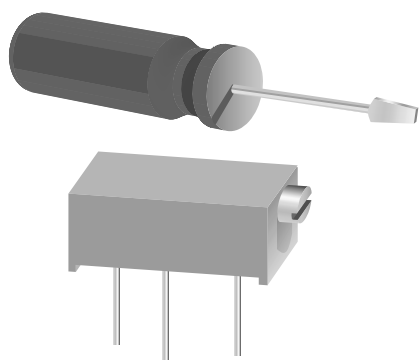


SOT-PoT™
50kΩ, 100kΩ

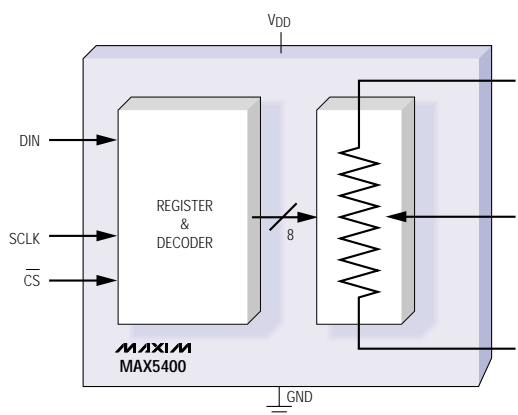
- ◆ Ultra-Small 8-Pin SOT23 Package
- ◆ Extremely Affordable!
- ◆ 0.1μA Supply Current
- ◆ Low Resistor Tempco: 35ppm/°C
- ◆ Glitchless Switching Between Resistor Taps

**ONLY
95¢***

REPLACES MECHANICAL POTENTIOMETERS!



TO
THIS



Choose Maxim for Smallest Potentiometers

| PART | TAPS | RESISTOR VALUES (kΩ) | PIN-PACKAGE | PRICE (\$)* |
|---------|------|----------------------|-------------|-------------|
| MAX5400 | 256 | 50 | 8-SOT23 | 0.95 |
| MAX5401 | 256 | 100 | 8-SOT23 | 0.95 |
| MAX5402 | 256 | 10 | 8-μMAX | 0.95 |

*1000-up recommended resale, FOB USA.

SOT-PoT™

μPoT™

FREE D/A Converters Design Guide—Sent Within 24 Hours!
Includes: Reply Cards for Free Samples and Data Sheets

CALL TOLL-FREE 1-800-998-8800 for a Design Guide or Free Sample
6:00 a.m. – 6:00 p.m. Pacific Time

MAXIM

www.maxim-ic.com

2000 EDITION!
FREE FULL-LINE DATA CATALOG
ON CD-ROM



NEW!

Get Price, Delivery, and Place Orders
Online at www.maxim-ic.com

Maxim Integrated Products, 120 San Gabriel Drive, Sunnyvale, CA 94086, (408) 737-7600, FAX (408) 737-7194.

Distributed by Maxim Distribution, Arrow, Avnet Electronics Marketing, CAM RPC, Digi-Key, Elmo, Nu Horizons, and Zeus.
Distributed in Canada by Arrow and Avnet Electronics Marketing.

MAXIM is a registered trademark of Maxim Integrated Products. © 2001 Maxim Integrated Products.