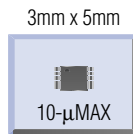
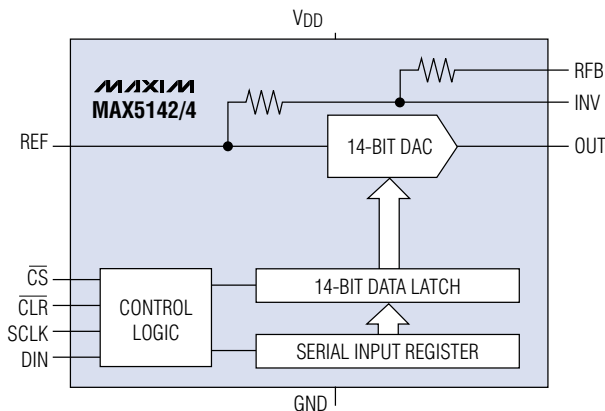
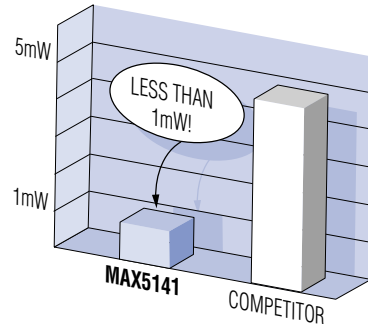


LOWEST POWER 14-BIT DAC OFFERS 1LSB ACCURACY



3mm x 5mm
10-µMAX
HALF THE SIZE OF AN 8-PIN SO



- ◆ Low 120µA Supply Current
- ◆ Accurate to ≤ 1 LSB INL and DNL
- ◆ Fast 1µs Settling Time
- ◆ Rail-to-Rail® Output Swing
- ◆ Reference Voltage Range Up to VDD
- ◆ +3V or +5V Single Supply
- ◆ 25MHz SPI™ Serial Interface

Choose Maxim for Your 14-Bit DACs!

PART	RESOLUTION (BITS)	SUPPLY VOLTAGE (V)	OUTPUT SWING	PIN-PACKAGE
MAX5141	14	+4.5 to +5.5	Unipolar	8-µMAX
MAX5142	14	+4.5 to +5.5	Bipolar	10-µMAX
MAX5143	14	+2.7 to +3.6	Unipolar	8-µMAX
MAX5144	14	+2.7 to +3.6	Bipolar	10-µMAX

Rail-to-Rail is a registered trademark of Nippon Motorola Ltd. SPI is a trademark of Motorola, Inc.



FREE D/A Converters Design Guide—Sent Within 24 Hours!
Includes: Reply Cards for Free Samples and Data Sheets

CALL TOLL-FREE 1-800-998-8800 for a Design Guide or Free Sample
6:00 a.m. – 6:00 p.m. Pacific Time

MAXIM
www.maxim-ic.com

2001 EDITION!
FREE FULL-LINE DATA CATALOG
ON CD-ROM



NEW! Get Price, Delivery, and Place Orders Online at www.maxim-ic.com

Maxim Integrated Products, 120 San Gabriel Drive, Sunnyvale, CA 94086, (408) 737-7600, FAX (408) 737-7194.
Distributed by Maxim/Dallas Direct!, Arrow, Avnet Electronics Marketing, CAM RPC, Digi-Key, Elmo, Nu Horizons, and Zeus.
Distributed in Canada by Arrow and Avnet Electronics Marketing.

MAXIM is a registered trademark of Maxim Integrated Products, Inc. © 2001 Maxim Integrated Products.