

HIGHEST VOLTAGE, LOWEST QUIESCENT CURRENT BUCK CONVERTERS BEAT THE COMPETITION THREE WAYS

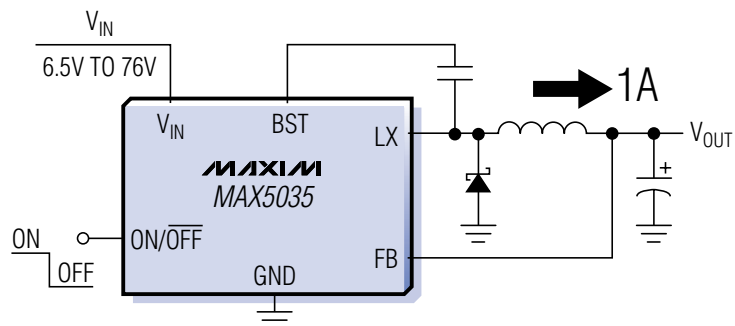
Ideal for Automotive and Industrial Applications

Eliminate TVS or MOV for External Protection

**-40°C TO +125°C
OPERATING TEMP RANGE**

1. HIGHEST VOLTAGE

- ◆ Up to 76V Input vs. 60V for Competitors
- ◆ Withstands 80V Automotive Load Dump vs. 60V to 63V for Competitors



10x Lower I_q

70% Smaller

2. LOWEST QUIESCENT CURRENT

- ◆ Only 350µA Quiescent Current at No-Load vs. 4mA or Higher for Competitors

3. SMALLEST PACKAGE

- ◆ 8-Pin SO vs. TO-220/TO-263 Package for Competitor

Part	V _{IN} RANGE (V)	I _{OUT} (A)	V _{OUT} (V)	Features	Price [†] (\$)
MAX5033	6.5 to 76	0.5	3.3, 5, 12, adj	ON/OFF, adjustable V _{IN} startup, indefinite short-circuit protection	2.05
MAX5035	6.5 to 76	1A	3.3, 5, 12, adj	ON/OFF, adjustable V _{IN} startup, indefinite short-circuit protection	2.21

[†]1000-up recommended resale. Prices provided are for design guidance and are FOB USA. International prices will differ due to local duties, taxes, and exchange rates. Not all packages are offered in 1k increments, and some may require minimum order quantities.



www.maxim-ic.com

FREE Power Supplies Design Guide—Sent Within 24 Hours!

CALL TOLL-FREE 1-800-998-8800 (6:00 a.m.—6:00 p.m. PT)

For a Design Guide or Free Sample



Distributed by Maxim/Dallas Direct!, Arrow, Avnet Electronics Marketing, Digi-Key, and Newark.

MAXIM is a registered trademark of Maxim Integrated Products, Inc. DALLAS is a registered trademark of Dallas Semiconductor Corp. © 2004 Maxim Integrated Products.