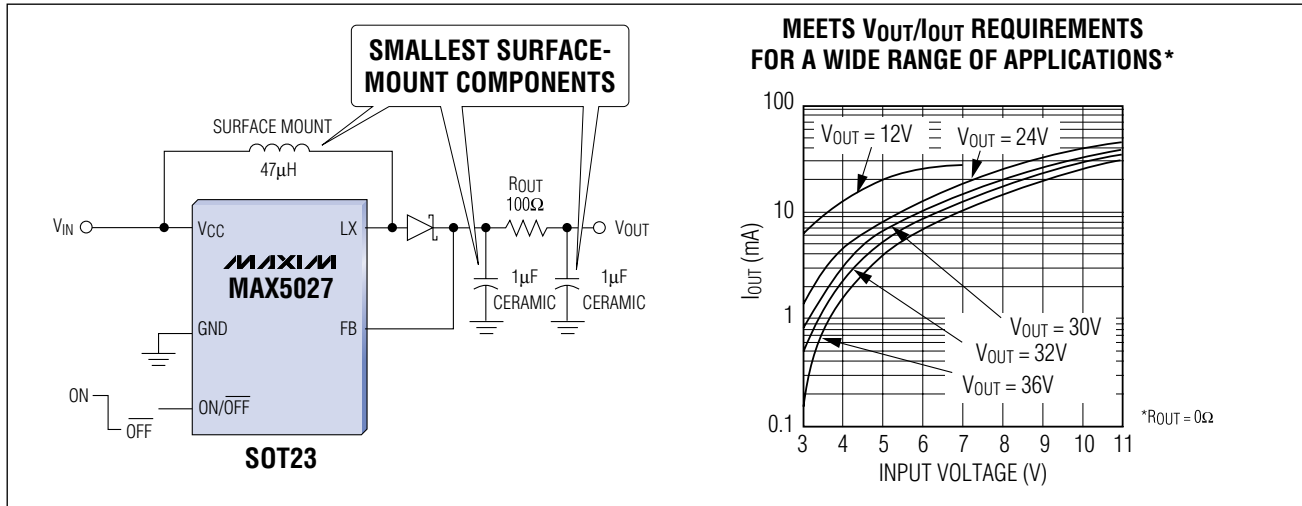


WORLD'S SMALLEST, LOWEST NOISE, AND LOW-COST POWER SUPPLY FOR VARACTOR DIODE BIASING

Best for TV RF Tuners, Set-Top Boxes, Satellite Receivers, PCI Cable Modems, and Voice-Over-Cable Modems



Lowest Noise:

- ◆ Fixed PWM Mode for Easy Filtering
- ◆ Discontinuous Mode Operation Reduces Noise and Voltage Spikes
- ◆ Controlled Slew Rate at LX Pin Reduces Noise
- ◆ Noise and Output Ripple Less than 1mV_{p-p}

Low Cost:

- ◆ Fewest External Components
- ◆ Price Starts at \$0.45[†]

PART	V _{IN} (V)	V _{OUT}	SWITCHING FREQUENCY (kHz)	PIN-PACKAGE
MAX5025	4.5 to 11	Adjustable to 36V, ±5% VFB	500	6-SOT23
MAX5026	3 to 11	Adjustable to 36V, ±3% VFB		
MAX5027	4.5 to 11	Fixed 30V ±5%		
MAX5028	3 to 11	Fixed 30V ±3%		

[†]10,000-up recommended resale. Prices provided are for design guidance and are FOB USA. International prices will differ due to local duties, taxes, and exchange rates. Not all packages are offered in 1k increments, and some may require minimum order quantities.

2001 EDITION!
FREE FULL-LINE DATA CATALOG
ON CD-ROM



CALL TOLL-FREE 1-800-998-8800 for a Design Guide or Free Sample
6:00 a.m. – 6:00 p.m. Pacific Time

MAXIM
www.maxim-ic.com



MAXIM/DALLAS SEMICONDUCTOR
DIRECT!
DISTRIBUTION
1-888-MAXIM-IC

ARROW
ARROW ELECTRONICS, INC.
1-800-777-2776

AVNET
electronics marketing
1-800-332-8638

Maxim Integrated Products, 120 San Gabriel Drive, Sunnyvale, CA 94086, (408) 737-7600, FAX (408) 737-7194.

Distributed by Maxim/Dallas Direct!, Arrow, Avnet Electronics Marketing, Digi-Key, and Newark.

Distributed in Canada by Arrow and Avnet Electronics Marketing.

MAXIM is a registered trademark of Maxim Integrated Products, Inc. © 2001 Maxim Integrated Products.