

# HIGH-VOLTAGE, LOW-QUIESCENT CURRENT LINEAR REGULATORS IN THERMALLY ENHANCED 8-PIN SO PACKAGE

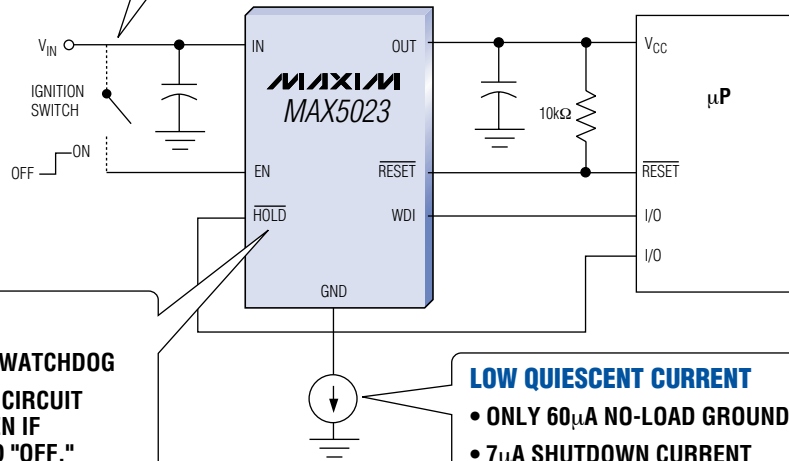
Ideal for Automotive and Industrial Applications

Operates Over  
-40°C to +125°C Automotive  
Temperature Range

#### HIGH VOLTAGE

- 6.5V TO 65V INPUT
- WITHSTANDS 70V AUTOMOTIVE LOAD DUMP
- -60V REVERSE-BATTERY PROTECTION

Thermally Enhanced  
1.5W 8-Pin SO Is  
Easy to Heatsink



#### HIGH INTEGRATION

- INTEGRATED  $\mu$ P RESET AND WATCHDOG
- INTEGRATED SELF-HOLDING CIRCUIT KEEPS REGULATOR "ON" EVEN IF IGNITION SWITCH IS TURNED "OFF."

#### LOW QUIESCENT CURRENT

- ONLY 60 $\mu$ A NO-LOAD GROUND CURRENT
- 7 $\mu$ A SHUTDOWN CURRENT

Part	V <sub>IN</sub> Range (V)	I <sub>OUT</sub> (mA)	V <sub>OUT</sub> (V)	Watchdog	Price* (\$)
MAX5023	6.5 to 65	150	Fixed 3.3 or 5	Yes	0.88
MAX5024	6.5 to 65	150	Fixed 3.3 or 5 or adjustable	No	0.82

\*10,000-up recommended resale. Prices provided are for design guidance and are FOB USA. International prices will differ due to local duties, taxes, and exchange rates. Not all packages are offered in 1k increments, and some may require minimum order quantities.



**FREE Power Supplies Design Guide—Sent Within 24 Hours!**

CALL TOLL-FREE 1-800-998-8800 (6:00 a.m. – 6:00 p.m. PST) ☐

For a Design Guide or Free Sample

# MAXIM

[www.maxim-ic.com](http://www.maxim-ic.com)

2002 EDITION!  
FREE FULL-LINE DATA CATALOG  
ON CD-ROM



**MAXIM/DALLAS**  
**DIRECT!**  
DISTRIBUTION  
1-888-MAXIM-IC

**ARROW**  
ARROW ELECTRONICS, INC.  
1-800-777-2776

**AVNET**  
CILICON  
1-800-332-8638

Distributed by Maxim/Dallas Direct!, Arrow, Avnet Electronics Marketing, Digi-Key, and Newark.

MAXIM is a registered trademark of Maxim Integrated Products, Inc. © 2003 Maxim Integrated Products.