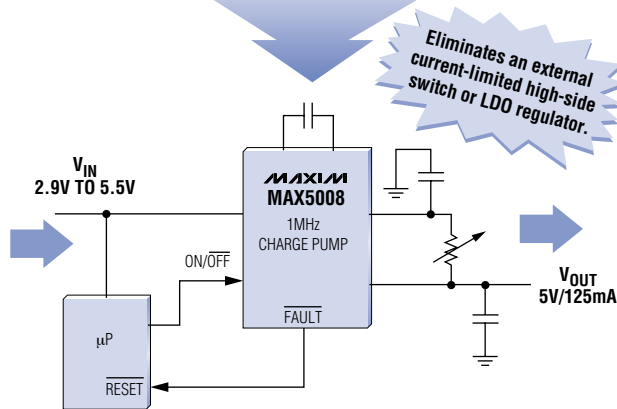


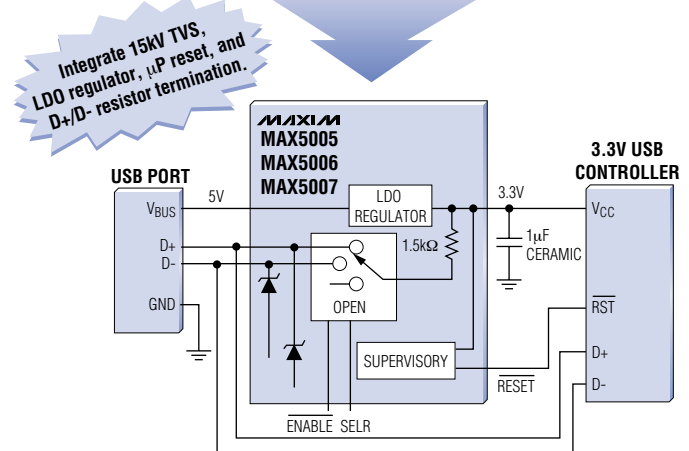
USB POWER-MANAGEMENT ICs OFFER HIGHEST INTEGRATION

Save Board Space and Cost

OPTIMIZED FOR USB HOSTS



OPTIMIZED FOR USB PERIPHERALS



MAX5008

- ◆ Regulated 5V Output from 2.9V to 5.5V Input
- ◆ Output Short-Circuit Protection with Programmable Current Limit
- ◆ Tiny Surface-Mount Ceramic Capacitors

MAX5005–MAX5007

- ◆ 15kV Transient Voltage Suppressors for Data Lines
- ◆ 3.3V/150mA LDO Regulator with 30µA Quiescent Current
- ◆ µP Reset Circuit
- ◆ Internal D+ and D- Termination Resistor and Control

PART	DESCRIPTION	APPLICATIONS	PIN-PACKAGE	PRICE† (\$)
MAX5008	1MHz USB charge pump with programmable current limit	USB host, point-of-sale terminals, smart phones, PDAs	10-µMAX	1.08
MAX5005/6/7	USB power-management ICs with 15kV transient voltage suppressors	USB peripherals, USB video cameras, digital still cameras, smart phones, USB speakers	10-µMAX	0.87

† 1000-up recommended resale. Prices provided are for design guidance and are FOB USA. International prices will differ due to local duties, taxes, and exchange rates. Not all packages are offered in 1k increments, and some may require minimum order quantities.



FREE Power Supplies Design Guide—Sent Within 24 Hours!
Includes: Reply Cards for Free Samples and Data Sheets

CALL TOLL-FREE 1-800-998-8800 for a Design Guide or Free Sample
6:00 a.m. – 6:00 p.m. Pacific Time

MAXIM
www.maxim-ic.com

2002 EDITION!
FREE FULL-LINE DATA CATALOG
ON CD-ROM



MAXIM/DALLAS SEMICONDUCTOR
DIRECT!
DISTRIBUTION

1-888-MAXIM-IC

ARROW

ARROW ELECTRONICS, INC.
1-800-777-2776

AVNET
electronics marketing

1-800-332-8638

Maxim Integrated Products, 120 San Gabriel Drive, Sunnyvale, CA 94086, (408) 737-7600, FAX (408) 737-7194.

Distributed by Maxim/Dallas Direct!, Arrow, Avnet Electronics Marketing, Digi-Key, and Newark.

Distributed in Canada by Arrow and Avnet Electronics Marketing.

MAXIM is a registered trademark of Maxim Integrated Products, Inc. © 2002 Maxim Integrated Products.