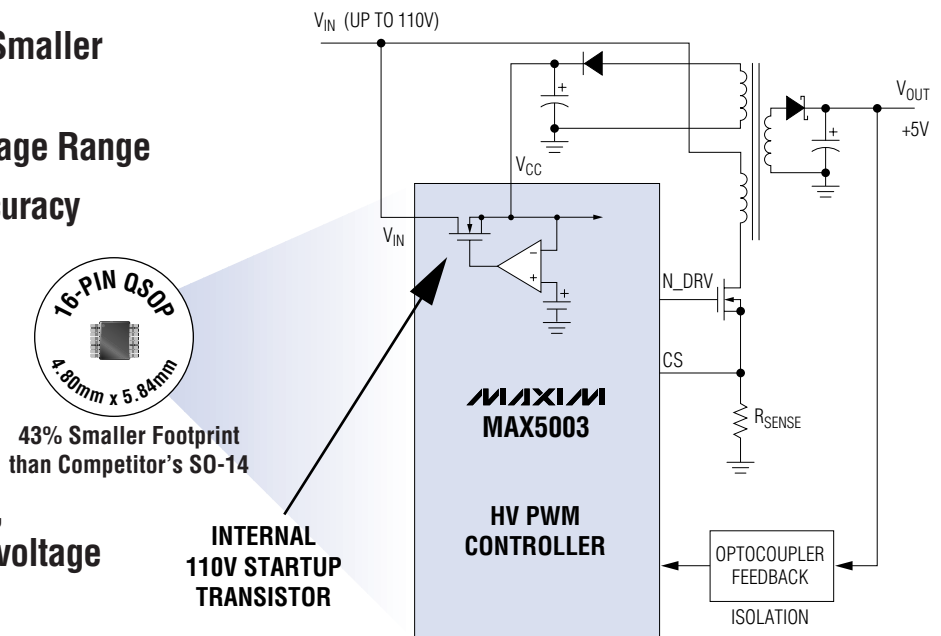


110V POWER SUPPLY CONTROLLER INTEGRATES HIGH-VOLTAGE STARTUP FET

Optimized for Telecom and Data Communications Applications

The MAX5003 provides the unprecedented combination of an internal high-voltage startup circuit, design flexibility, and superior performance. Now systems designers can design isolated or nonisolated high-voltage flyback and forward-mode DC-DC converters while benefiting from lower system cost, smaller PCB area, and optimized design. An evaluation kit (MAX5003EVKIT) is available to speed your design.

- ◆ Up to 300kHz Operation for Smaller Magnetics and Capacitors
- ◆ Wide 11V to 110V Input Voltage Range
- ◆ Guaranteed $\pm 2.5\%$ V_{REF} Accuracy
- ◆ Only 2.2mA Supply Current
- ◆ Input Feed-Forward Compensation for Fast Line-Transient Response
- ◆ Programmable: Current Limit, Maximum Duty Cycle, Oscillator Frequency, Undervoltage Lockout, and Softstart
- ◆ External Frequency Synchronization



Subscribe to Maxim's EE-Mail today to receive automatic new product updates via e-mail. Go to www.maxim-ic.com for easy signup.

CALL TOLL-FREE 1-800-998-8800 for a Design Guide or Free Sample
6:00 a.m. – 6:00 p.m. Pacific Time

MAXIM
www.maxim-ic.com

1999 EDITION!
FREE FULL-LINE DATA CATALOG
ON CD-ROM



For Small-Quantity Orders Call (800) 835-8769 or Visit <http://www.maxim-ic.com>

MasterCard® and Visa® are accepted for evaluation kits and small-quantity orders.

Maxim Integrated Products, 120 San Gabriel Drive, Sunnyvale, CA 94086, (408) 737-7600, FAX (408) 737-7194.
Distributed by Maxim Distribution, Arrow, CAM RPC, Digi-Key, Elmo, Marshall, Nu Horizons, and Zeus. Distributed in Canada by Arrow and Marshall.

MAXIM is a registered trademark of Maxim Integrated Products. © 1999 Maxim Integrated Products.