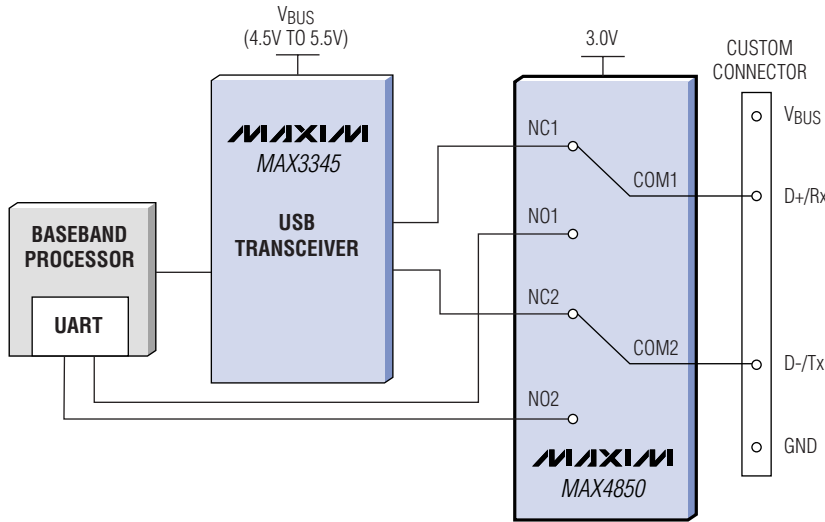


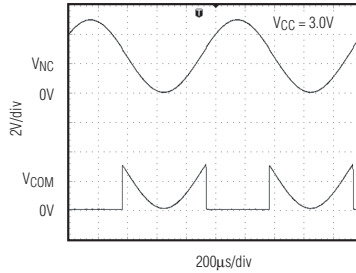
# INDUSTRY'S FIRST OVER-RAIL SIGNAL-HANDLING ANALOG SWITCHES

## High-Bandwidth Switches in Tiny QFN Handle High-Speed Data

MAXIM's new topology allows signals beyond the supply rail (up to +5.5V) to be passed through the switch or taken to high impedance.

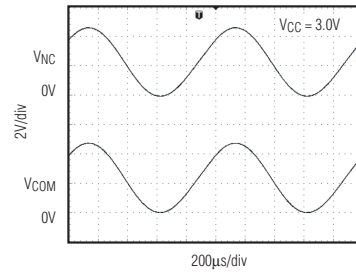


**PROTECTS AGAINST  
OVERVOLTAGE FAULTS ( $V_{IN} > V_{CC}$ )  
MAX4850H/2H/4H**



**OR**

**PASSES OVER-RAIL SIGNALS  
WITHOUT DISTORTING ( $V_{IN} > V_{CC}$ )  
MAX4850/2**



### High-Speed Performance

- ◆ USB 1.1 High-Speed Signal Switching
- ◆ USB 2.0 Full-Speed Signal Switching
- ◆ 150MHz, -3dB Bandwidth

### Excellent Linearity and Low Distortion

- ◆ 1.2Ω On-Resistance Flatness
- ◆ 0.04% Total Harmonic Distortion

### Other Important Features

- ◆ 3mm x 3mm, 16-Pin QFN Package
- ◆ Pin-for-Pin Compatible with 74LCX125 Standard Logic Devices (MAX4854H)
- ◆ USB Certification Number Pending

Part	Function	R <sub>ON</sub> (Ω)	Supply Voltage (V)	Over-Rail State
MAX4850	Dual SPDT	3.5	+2.0 to +5.5	Pass through
MAX4850H	Dual SPDT	3.5	+2.0 to +5.5	High-Z
MAX4852	Dual SPDT	3.5/7.0	+2.0 to +5.5	Pass through
MAX4852H	Dual SPDT	3.5/7.0	+2.0 to +5.5	High-Z
MAX4854H	Quad SPST	7.0	+2.0 to +5.5	High-Z



[www.maxim-ic.com](http://www.maxim-ic.com)

**FREE Mux & Switch Design Guide—Sent Within 24 Hours!**

CALL TOLL-FREE 1-800-998-8800 (6:00 a.m.—6:00 p.m. PT)

For a Design Guide or Free Sample



Distributed by Maxim/Dallas Direct!, Arrow, Avnet Electronics Marketing, Digi-Key, and Newark.

MAXIM is a registered trademark of Maxim Integrated Products, Inc. DALLAS is a registered trademark of Dallas Semiconductor Corp.  
© 2004 Maxim Integrated Products, Inc. All rights reserved.