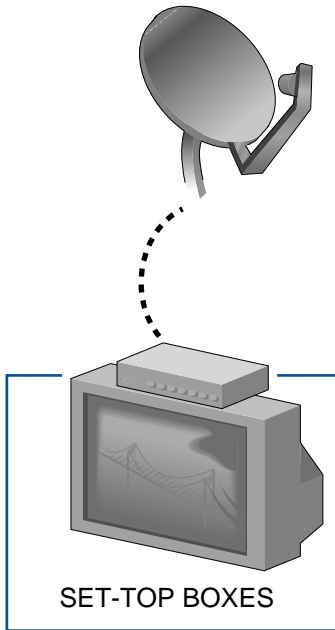
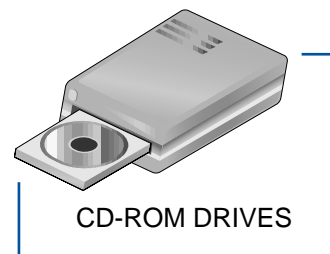
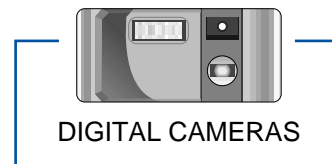


# WORLD'S ONLY VIDEO OP AMPS IN ULTRA-SMALL SC70 PACKAGE

0.1dB Gain Flatness to 55MHz with Rail-to-Rail® Outputs



- ◆ **Low Cost**
  - \$0.62 (50,000-up, FOB USA)
- ◆ **Single-Supply Operation**
  - Single +5.0V Supply
- ◆ **Smallest Size**
  - Ultra-Small SC70-5
- ◆ **High Speed**
  - 210MHz -3dB Bandwidth
  - 485V/μs Slew Rate
- ◆ **Excellent Video Specs**
  - 0.02%/0.02° DG/DP
  - 55MHz 0.1dB Gain Flatness



## Choose Maxim for the Ideal Low-Cost, Single-Supply Op Amp

PART	NO. OF AMPS	MIN. STABLE GAIN	SUPPLY VOLTAGE RANGE (V)	0.1dB GAIN FLATNESS (MHz)	-3dB BW (MHz)	SLEW RATE (V/μs)	DIFF. GAIN/PHASE ERROR (%/°)	OUTPUT SWING <sup>(1)</sup> (RL = 10kΩ)	SHUTDOWN	PACKAGES	PRICE <sup>(2)</sup> (\$)
MAX4012/4450	1	1	+3.15 to +11	30/55	200/210	600/485	0.02/0.02	0.06 to 4.94	No	5-pin SOT23/SC70	0.72/0.62
MAX4014	1	2	+3.15 to +11	30	200	600	0.02/0.02	0.06 to 4.94	No	5-pin SOT23	0.80
MAX4016/4451†	2	1	+3.15 to +11	30/55	150/210	600/485	0.02/0.02	0.06 to 4.94	No	8-pin SO/μMAX/SOT23	0.95/0.80
MAX4017	2	2	+3.15 to +11	30	150	600	0.02/0.02	0.06 to 4.94	No	8-pin SO/μMAX	1.09
MAX4018/4020	3/4	1	+3.15 to +11	30	150	600	0.02/0.02	0.06 to 4.94	Yes	14-pin SO, 16-pin QSOP	1.53/1.80
MAX4019/4022	3/4	2	+3.15 to +11	30	150	600	0.02/0.02	0.06 to 4.94	Yes	14-pin SO, 16-pin QSOP	1.66/1.98

(1) VCC = +5V, VEE = 0V. (2) 50,000-up, FOB USA.  
Rail-to-Rail is a registered trademark of Nippon Motorola, Ltd.  
†Future product—contact factory for availability.



**FREE Op Amp/Comparator Design Guide – Sent Within 24 Hours!**  
Includes: Data Sheets and Cards for Free Samples

CALL TOLL-FREE 1-800-998-8800 for a Design Guide or Free Sample  
6:00 a.m. – 6:00 p.m. Pacific Daylight Time

**MAXIM**  
www.maxim-ic.com

1999 EDITION!  
FREE FULL-LINE DATA CATALOG  
ON CD-ROM



For Small-Quantity Orders Call (800) 835-8769 or Visit <http://www.maxim-ic.com>

MasterCard® and Visa® are accepted for evaluation kits and small-quantity orders.

Maxim Integrated Products, 120 San Gabriel Drive, Sunnyvale, CA 94086, (408) 737-7600, FAX (408) 737-7194.

Distributed by Arrow, CAM RPC, Digi-Key, Elmo, Marshall, Nu Horizons, and Zeus.  
Distributed in Canada by Arrow and Marshall.

MAXIM is a registered trademark of Maxim Integrated Products. © 1999 Maxim Integrated Products.