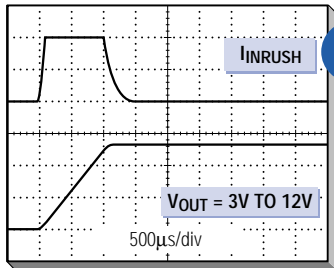
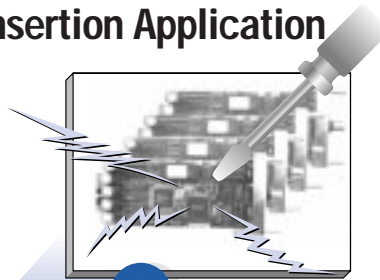


THE ONLY HOT SWAP CONTROLLER TO PROTECT YOUR SYSTEM 5 WAYS!

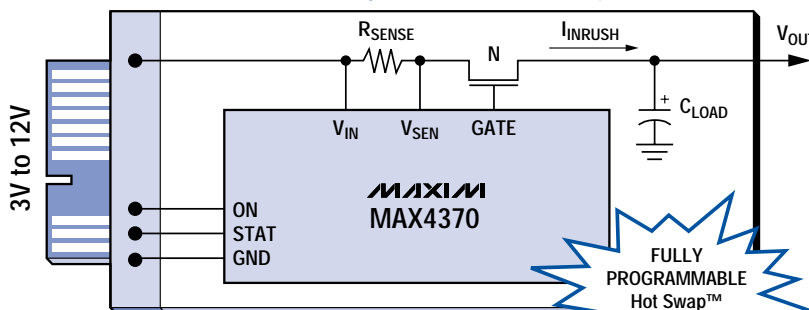
Ideal for Any 3V to 12V Hot Insertion Application



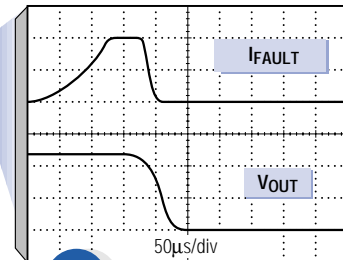
1 True inrush current regulation optimizes start-up performance and minimizes risk to the main supply. Magnitude of inrush current is programmable with R_{SENSE} .



2 DualSpeed/BiLevel™ fault detection protects against both catastrophic current surges and...



FULLY PROGRAMMABLE Hot Swap™ PROTECTION



3 ...DualSpeed/BiLevel fault detection also protects against lower amplitude, long-lasting fault currents. It uses a fast comparator and a slow comparator to protect against high- and low- amplitude surges.

5 Minimizes false trippings due to short-term current transients from normal load-current fluctuations.

4 Minimizes inductive kickback when the MOSFET cuts off the load current.

Hot Swap is a trademark of Linear Technology Corp.
DualSpeed/BiLevel is a trademark of Maxim Integrated Products.



FREE Op Amp/Comparator Design Guide – Sent Within 24 Hours!
Includes: Data Sheets and Cards for Free Samples

CALL TOLL-FREE 1-800-998-8800 for a Design Guide or Free Sample
6:00 a.m. – 6:00 p.m. Pacific Daylight Time

1999 EDITION!
FREE FULL-LINE DATA CATALOG
ON CD-ROM



MAXIM
www.maxim-ic.com



For Small-Quantity Orders Call (800) 835-8769 or Visit <http://www.maxim-ic.com>

MasterCard® and Visa® are accepted for evaluation kits and small-quantity orders.

Maxim Integrated Products, 120 San Gabriel Drive, Sunnyvale, CA 94086, (408) 737-7600, FAX (408) 737-7194.

Distributed by Arrow, CAM RPC, Digi-Key, Elmo, Marshall, Nu Horizons, and Zeus.
Distributed in Canada by Arrow and Marshall.

MAXIM is a registered trademark of Maxim Integrated Products. © 1999 Maxim Integrated Products.