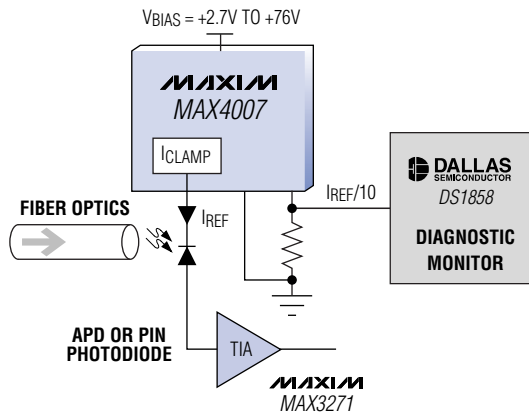
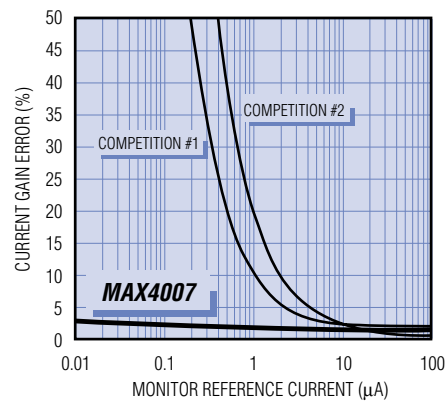


76V PRECISION CURRENT MONITOR MEASURES 10nA TO 10mA IN SOT23 PACKAGE

FIBER MODULE RECEIVER APPLICATION



MAX4007—5x MORE ACCURATE AT 1μA



Simplifies High Side Current Sensing in Current Monitoring Applications

FEATURES:

- ◆ Current Measurement Range From 10nA to 10mA with 5% Accuracy
- ◆ Short-to-Ground Input Fault Protection
- ◆ Ground Referenced Output Even While Operating at 76V



BENEFITS:

- ◆ Provides 6 Decades of Precision Current Monitoring
- ◆ Protects Device During Ground Faults Conditions
- ◆ Eliminates Floating Op Amps in High Voltage Applications

Part	Operating Voltage (V)	Current Measurement Range	Voltage or Current Out	Temp Range (°C)	Price [†] (\$)
MAX4007	2.7 to 76	10nA to 10mA	Current	-40 to +85	1.11
MAX4008	2.7 to 76	10nA to 10mA	Voltage	-40 to +85	1.14
MAX4004	2.7 to 22	10nA to 10mA	Current	-40 to +85	0.76
MAX4006	2.7 to 22	10nA to 10mA	Voltage	-40 to +85	0.80

[†]50k-up recommended resale. Prices provided are for design guidance and are FOB USA. International prices will differ due to local duties, taxes, and exchange rates. Not all packages are offered in 1k increments, and some may require minimum order quantities.



www.maxim-ic.com

FREE Op Amps/Comparators Design Guide—Sent Within 24 Hours!

CALL TOLL-FREE 1-800-998-8800 (6:00 a.m.—6:00 p.m. PT)

For a Design Guide or Free Sample



Distributed by Maxim/Dallas Direct!, Arrow, Avnet Electronics Marketing, Digi-Key, and Newark.

MAXIM is a registered trademark of Maxim Integrated Products, Inc. © 2003 Maxim Integrated Products.