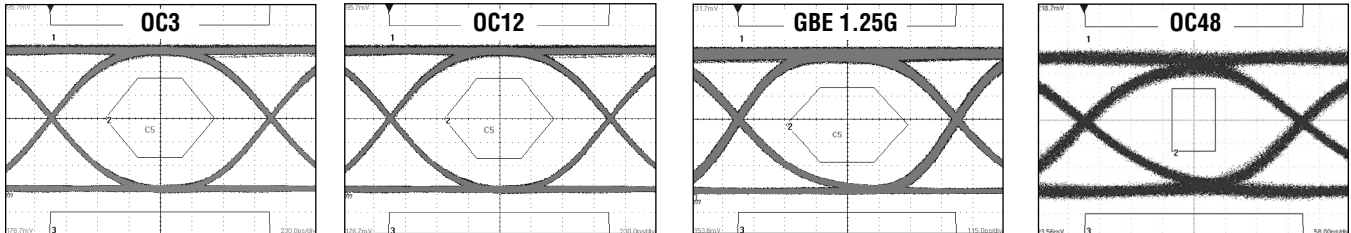


+3.3V, 2.7Gbps DC-COUPLED LASER DRIVER

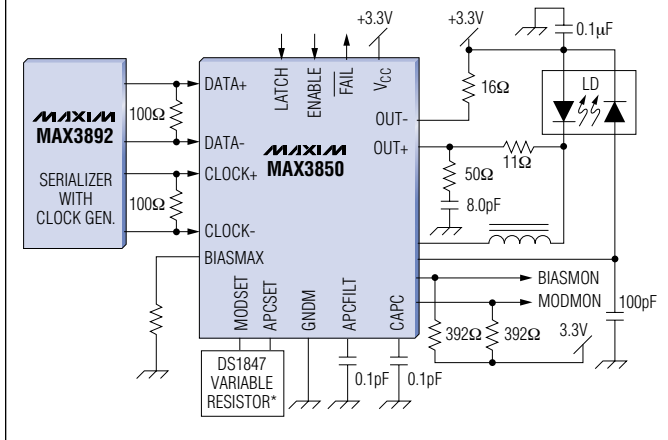
Operates at Any Data Rate from DC to 2.7Gbps Without Modifying the External Interface to the Laser!

The MAX3850 is a +3.3V DC-coupled laser driver for SDH/SONET applications up to 2.7Gbps. An automatic power control (APC) feedback loop is incorporated to maintain a constant average optical power over temperature and lifetime. The wide modulation current range of 5mA to 60mA (up to 80mA AC-coupled) and bias current of 1mA to 100mA are easy to program, making this product ideal for SFF applications. The MAX3850 is available in a small 5mm x 5mm 32-pin QFN package as well as dice and is priced at \$17.45.[†]

MAX3850 TYPICAL OPTICAL EYE DIAGRAM DRIVING AN FP LASER



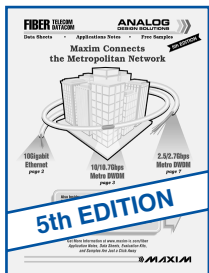
DC-COUPLED CONFIGURATION SIMPLIFIES LASER INTERFACE REQUIREMENTS



- ◆ Single +3.3V Power Supply
- ◆ 115mW Power Consumption
- ◆ Programmable Bias Current from 1mA to 100mA
- ◆ Programmable Modulation Current from 5mA to 60mA (Up to 80mA AC-Coupled)
- ◆ Bias Current and Modulation Current Monitors
- ◆ 70ps Rise/Fall Time
- ◆ Automatic Average Power Control (APC) with Failure Monitor
- ◆ Laser Current Enable Control

*Dallas Semiconductor's DS1847 nonvolatile variable resistor is recommended.

[†]1000-up recommended resale. Prices provided are for design guidance and are FOB USA. International prices will differ due to local duties, taxes, and exchange rates. Not all packages are offered in 1k increments, and some may require minimum order quantities.



FREE Fiber Design Guide—Sent Within 24 Hours!
Includes: Reply Cards for Free Samples and Data Sheets

CALL TOLL-FREE 1-800-998-8800 for a Design Guide or Free Sample
6:00 a.m. – 6:00 p.m. Pacific Time

MAXIM
www.maxim-ic.com

2002 EDITION!
FREE FULL-LINE DATA CATALOG
ON CD-ROM



MAXIM/DALLAS SEMICONDUCTOR
DIRECT!
DISTRIBUTION

1-888-MAXIM-IC

ARROW

ARROW ELECTRONICS, INC.
1-800-777-2776

cilicon
An Avnet Company

1-800-332-8638

Maxim Integrated Products, 120 San Gabriel Drive, Sunnyvale, CA 94086, (408) 737-7600, FAX (408) 737-7194.

Distributed by Maxim/Dallas Direct!, Arrow, Avnet Electronics Marketing, Digi-Key, and Newark.

Distributed in Canada by Arrow and Avnet Electronics Marketing.

MAXIM is a registered trademark of Maxim Integrated Products, Inc. © 2002 Maxim Integrated Products.