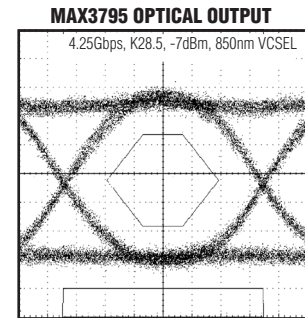
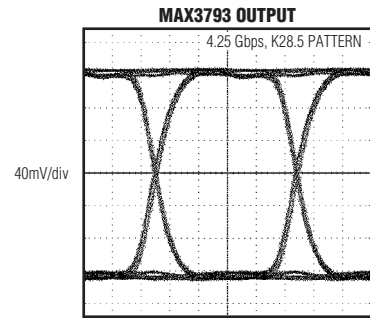
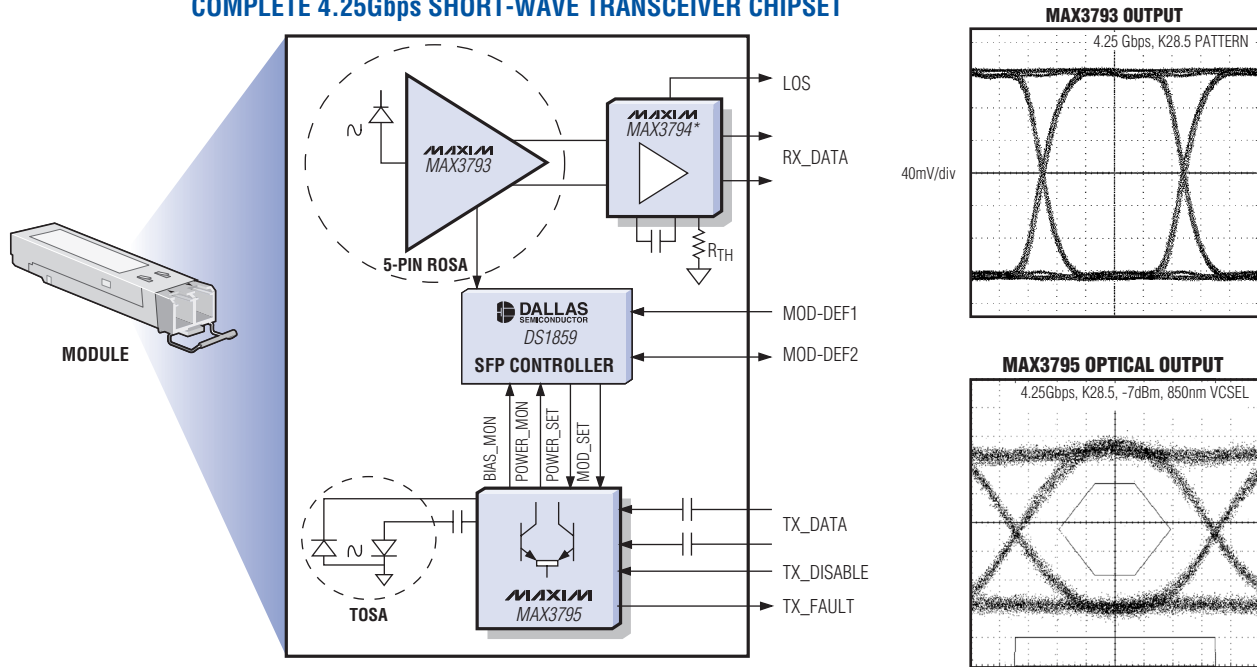


# SEAMLESSLY UPGRADE TO 4X FIBRE CHANNEL MODULES USING NEW 4.25Gbps SFP CHIPSET

**Rate-Agile 1x/2x/4x Fibre Channel Chipset Is *Footprint Compatible* with,  
and *Priced the Same* as Maxim's Existing 2Gbps SFP Chipset**

Maxim introduces a high-performance multirate chipset for Fibre Channel and Gigabit Ethernet applications. The MAX3793 transimpedance amplifier (TIA), MAX3794\* limiting amplifier (LA), and MAX3795 VCSEL driver operate from 1Gbps to 4.25Gbps, and are ideal for multirate, short-wave optical modules. The MAX3794 and MAX3795 are footprint compatible with the MAX3748A limiting amplifier and MAX3740A driver, respectively, providing an easy upgrade path from existing module designs.

## COMPLETE 4.25Gbps SHORT-WAVE TRANSCEIVER CHIPSET



### MAX3793 TIA

- ◆ -20dBm Sensitivity at 4.25Gbps (0.55A/W)
- ◆ 2.8mAp-p AC Overload
- ◆ Photo-Current Output Monitor
- ◆ 4.7ps Deterministic Jitter

### MAX3794 LA

- ◆ Selectable 1.5GHz Filter for Gigabit Ethernet Operation
- ◆ Polarity Selectable LOS Output
- ◆ 70ps Edge Transition Times
- ◆ Footprint Compatible to MAX3748A

### MAX3795 VCSEL DRIVER

- ◆ 52ps Edge Transition Times
- ◆ 8.4ps Deterministic Jitter
- ◆ Supports All SFF-8472 Diagnostic and Timing Requirements
- ◆ Pin Compatible with MAX3740A

\*Future product—contact factory for availability.



[www.maxim-ic.com](http://www.maxim-ic.com)

**FREE Fiber Design Guide—Sent Within 24 Hours!**

CALL TOLL FREE 1-800-998-8800 (6:00 a.m.–6:00 p.m. PT)  
For a Design Guide or Free Sample



Distributed by Maxim/Dallas Direct!, Arrow, Avnet Electronics Marketing, Digi-Key, and Newark.

The Maxim logo is a registered trademark of Maxim Integrated Products, Inc. The Dallas Semiconductor logo is a registered trademark of Dallas Semiconductor Corp.  
© 2004 Maxim Integrated Products, Inc. All rights reserved.