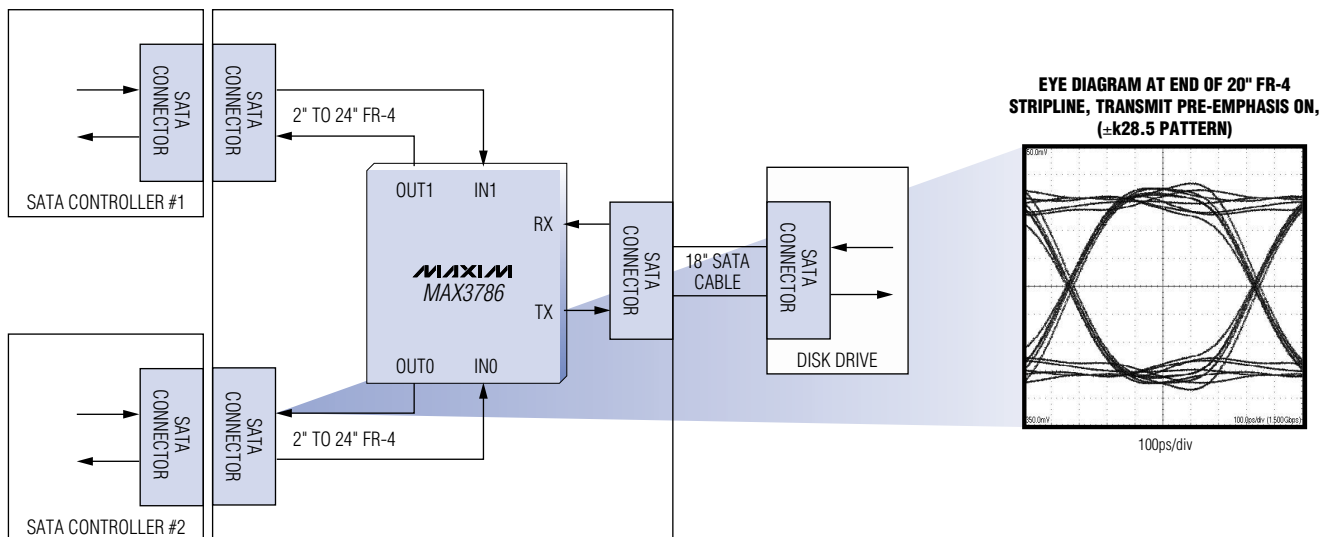


EQUALIZE REDUNDANT LINKS IN 1.5Gbps SATA STORAGE SYSTEMS

1.5Gbps Mux/Buffer Extends Reach to 20 Inches of FR-4

The MAX3786 serial ATA-compatible, 1.5Gbps multiplexer/buffer (mux/buffer) is optimized for SATA redundancy applications, such as switching between two disk controllers. The MAX3786 offers unrivaled features: SATA-type out-of-band signaling, loss-of-signal detect on all three inputs, loopback, receive equalization, and transmit pre-emphasis. The MAX3786 operates over a 0°C to +85°C temperature range from a single +3.3V supply. Available in a 5mm x 5mm 32-pin QFN package, prices start from \$6.49.†

Less than 50ps_{p-p} Residual Jitter for a 20 Inches FR-4 Path!



†1000-up recommended resale. Prices provided are for design guidance and are FOB USA. International prices will differ due to local duties, taxes, and exchange rates. Not all packages are offered in 1k increments, and some may require minimum order quantities.



www.maxim-ic.com/fiber

FREE Fiber Design Guide—Sent Within 24 Hours!

CALL TOLL-FREE 1-800-998-8800 (6:00 a.m.—6:00 p.m. PT)

For a Design Guide or Free Sample



Distributed by Maxim/Dallas Direct!, Arrow, Avnet Electronics Marketing, Digi-Key, and Newark.
MAXIM is a registered trademark of Maxim Integrated Products, Inc. © 2003 Maxim Integrated Products.