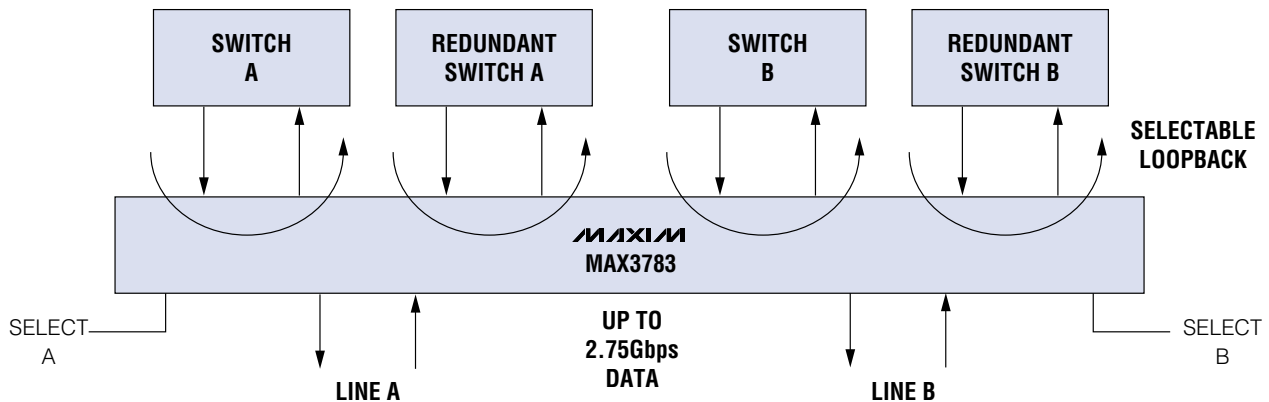


DUAL 2.75Gbps MUX/BUFFER SIMPLIFIES REDUNDANCY

Fanout, Switch, or Loopback 2.75Gbps Serial Data Streams with a Single IC

The MAX3783 is a dual 2.75Gbps 2:1 mux/1:2 fanout buffer with selectable loopback. This single IC handles signal redundancy and fail-over switching applications in up to 2.75Gbps SONET, Fibre Channel, and 2x Gigabit Ethernet systems while saving board space. Only 11ps deterministic jitter at 2.75Gbps preserves data integrity. The MAX3783 is available in a 7mm x 7mm 48-lead TQFP package for only \$6.49.†

PERFECT FOR FAIL-OVER AND PROTECTION SWITCHING APPLICATIONS!



Select the Ideal Signal Redundancy Product for Your Design

PART	DESCRIPTION	DATA RATE (bps)	SUPPLY VOLTAGE (V)	PIN-PACKAGE	PRICE† (\$)
NEW MAX3783	Dual 2:1 Mux/1:2 Buffer (w/loopback)	2.75G	+3.3	48-TQFP	6.49
MAX3781	Dual 2:1 Mux/1:2 Buffer (no loopback)	2.75G	+3.3	48-TQFP	6.49
MAX3840	Dual 2x2 Crosspoint Switch	2.7G	+3.3	32-QFN	17.88
MAX3640	Dual 4:2 Crosspoint Switch	622M	+3.3	48-TQFP	11.11

†1000-up recommended resale. Prices provided are for design guidance and are FOB USA. International prices will differ due to local duties, taxes, and exchange rates. Not all packages are offered in 1k increments, and some may require minimum order quantities.



FREE Fiber Design Guide—Sent Within 24 Hours!
Includes: Reply Cards for Free Samples and Data Sheets

CALL TOLL-FREE 1-800-998-8800 for a Design Guide or Free Sample
6:00 a.m. – 6:00 p.m. Pacific Time

MAXIM
www.maxim-ic.com

2001 EDITION!
FREE FULL-LINE DATA CATALOG
ON CD-ROM



MAXIM/DALLAS SEMICONDUCTOR
DIRECT!
DISTRIBUTION
1-888-MAXIM-IC

ARROW
ARROW ELECTRONICS, INC.
1-800-777-2776

AVNET
electronics marketing
1-800-332-8638

Maxim Integrated Products, 120 San Gabriel Drive, Sunnyvale, CA 94086, (408) 737-7600, FAX (408) 737-7194.

Distributed by Maxim/Dallas Direct!, Arrow, Avnet Electronics Marketing, Digi-Key, and Newark.

Distributed in Canada by Arrow and Avnet Electronics Marketing.

MAXIM is a registered trademark of Maxim Integrated Products, Inc. © 2001 Maxim Integrated Products.