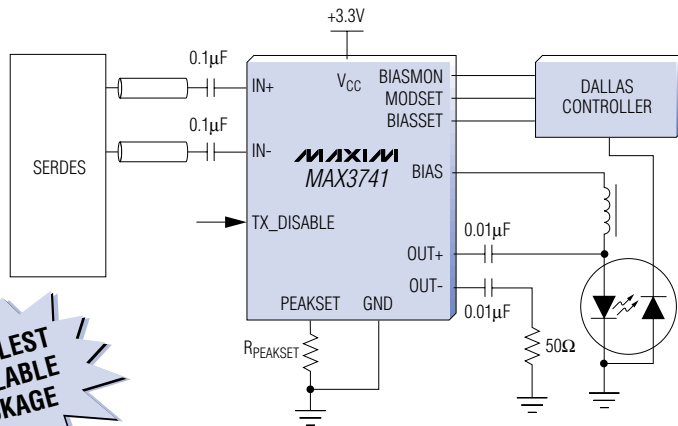


3mm x 3mm VCSEL DRIVER PROVIDES SMALLEST SOLUTION FOR SFF/SFP MODULES WITH DIAGNOSTICS

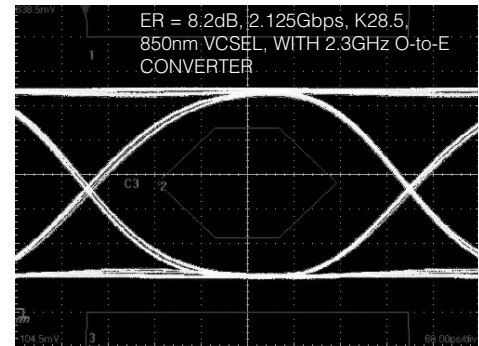
The MAX3741 VCSEL driver is optimized for 1Gbps to 3.2Gbps SFF/SFP fiber optic modules. The large modulation current and optional peaking current provide exceptional eye mask margin and low jitter. Transmitter design is simplified by the MAX3741's tiny QFN package, low power, and integrated bias modulator.

MAX3741 APPLICATION CIRCUIT



SMALLEST AVAILABLE PACKAGE

MAX3741 OPTICAL EYE DIAGRAM



- ◆ 3mm x 3mm QFN Package
- ◆ 1mA to 15mA Bias Current
- ◆ 2mA to 15mA Modulation Current
- ◆ Ultra-Low Jitter
- ◆ Optional Peaking Current
- ◆ -40°C to +85°C Operation

Part	Description	Automatic Power Control	Data Rate	Temperature Range (°C)	Size	Pin-Package	Price [†] (\$)
MAX3741ETE	+3.3V SFP VCSEL Driver	No	1Gbps to 3.2Gbps	-40 to +85	3mm x 3mm	16-QFN	6.75
MAX3740ETG	+3.3V SFP VCSEL Driver	Yes	1Gbps to 3.2Gbps	-40 to +85	4mm x 4mm	24-QFN	7.45
MAX3735EGG	+3.3V SFP FP/DFB Driver	Yes	155Mbps to 2.7Gbps	-40 to +85	4mm x 4mm	24-QFN	7.95
MAX3735E/D	+3.3V SFP FP/DFB Driver	Yes	155Mbps to 2.7Gbps	-40 to +85	—	Die	7.45

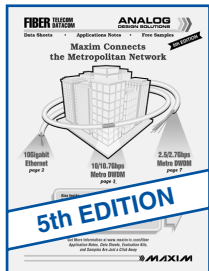
[†] 1000-up recommended resale. Prices provided are for design guidance and are FOB USA. International prices will differ due to local duties, taxes, and exchange rates. Not all packages are offered in 1k increments, and some may require minimum order quantities.

FREE Fiber Design Guide—Sent Within 24 Hours!
Includes Sample Request Form

CALL TOLL-FREE 1-800-998-8800 for a Design Guide or Free Sample
6:00 a.m. – 6:00 p.m. Pacific Time

MAXIM
www.maxim-ic.com

2002 EDITION!
FREE FULL-LINE DATA CATALOG
ON CD-ROM



MAXIM/DALLAS SEMICONDUCTOR
DIRECT!
DISTRIBUTION
1-888-MAXIM-IC

ARROW
ARROW ELECTRONICS, INC.
1-800-777-2776

cilicon
An Avnet Company
1-800-332-8638

Maxim Integrated Products, 120 San Gabriel Drive, Sunnyvale, CA 94086, (408) 737-7600, FAX (408) 737-7194.

Distributed by Maxim/Dallas Direct!, Arrow, Avnet Electronics Marketing, Digi-Key, and Newark.

Distributed in Canada by Arrow and Avnet Electronics Marketing.

MAXIM is a registered trademark of Maxim Integrated Products, Inc. © 2002 Maxim Integrated Products.