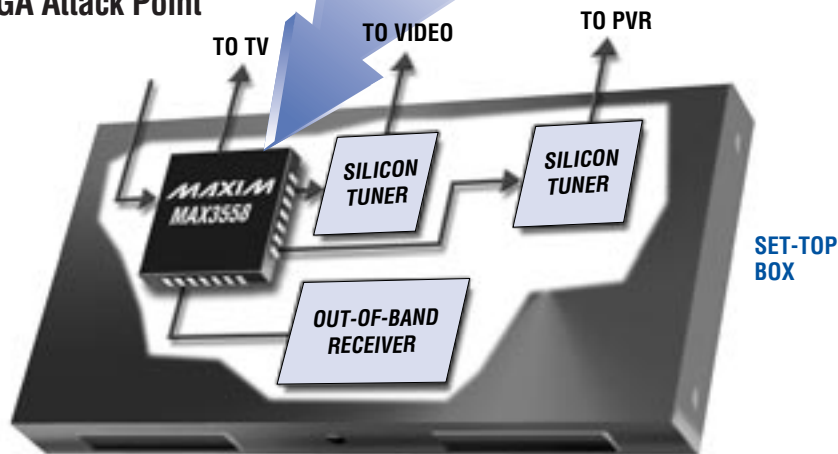
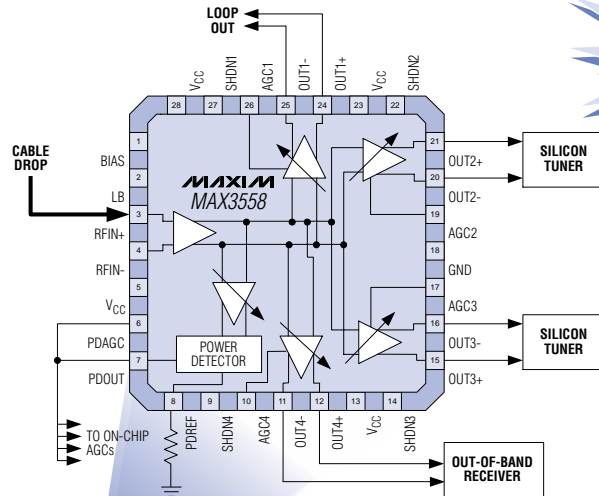


BROADBAND QUAD-OUTPUT LNA HAS ON-CHIP POWER DETECTOR

Is Ideal for MultiTuner Cable and Terrestrial TV Applications

- ◆ Power Detector Provides Closed-Loop Control of Any or All Outputs
- ◆ No Expensive Baluns—Balanced Outputs Provide Differential Drive to On-Board Silicon Tuners
- ◆ 30dB x 4 AGC Range
- ◆ Full 50MHz to 878MHz Operation
- ◆ User-Selectable VGA Attack Point

NO BALUNS REQUIRED!



www.maxim-ic.com

FREE Power Supplies Design Guide—Sent Within 24 Hours!

CALL TOLL-FREE 1-800-998-8800 (6:00 a.m.–6:00 p.m. PT)

For a Design Guide or Free Sample



Distributed by Maxim/Dallas Direct!, Arrow, Avnet Electronics Marketing, Digi-Key, and Newark.

MAXIM is a registered trademark of Maxim Integrated Products, Inc. © 2004 Maxim Integrated Products.