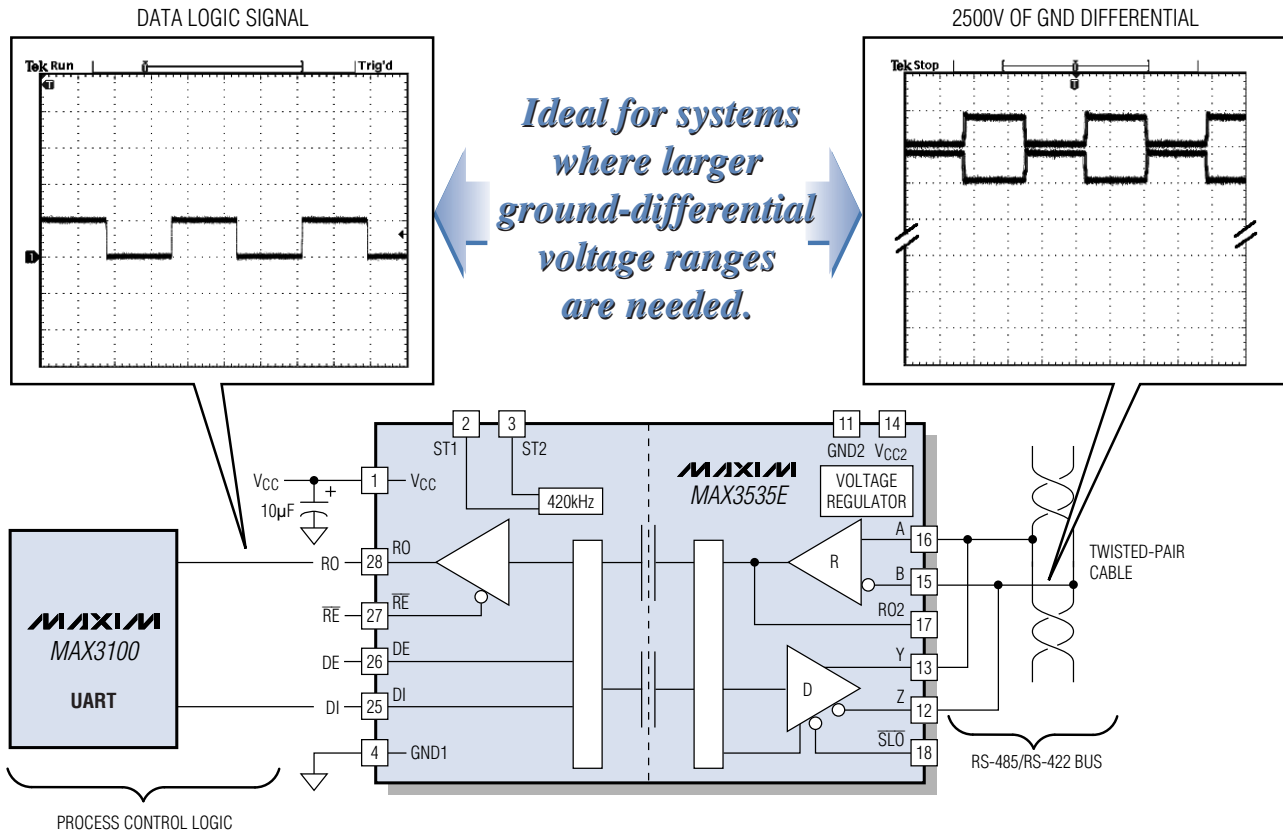


# INDUSTRY'S FIRST +3.3V ISOLATED RS-485 TRANSCEIVER

Internal, Capacitive Isolation Barrier Provides Up to 2500V<sub>RMS</sub> of Isolation;  
Transmitter Outputs and Receiver Inputs Are Protected Up to ±15kV ESD



## Eliminates the Need for External Optocouplers

Part	Vcc Supply (V)	Data Rate (kbps, max)	Isolation (V <sub>RMS</sub> )	±15kV ESD Protection	Hot-Swappable	Fail-Safe	Replaces	Price <sup>†</sup> (\$)
MAX3535E	+3 to +5	1000	2500	Yes	Yes	Yes	LTC1535	5.35
MXL1535E	+5	250	2500	Yes	Yes	Yes	LTC1535	4.98

### BEATS THE COMPETITION

- ◆ 3x FASTER
- ◆ 3V OPERATION
- ◆ ±15kV ESD PROTECTION

<sup>†</sup>1000-up recommended resale. Prices provided are for design guidance and are FOB USA. International prices will differ due to local duties, taxes, and exchange rates. Not all packages are offered in 1k increments, and some may require minimum order quantities.



www.maxim-ic.com

**FREE Interface Design Guide—Sent Within 24 Hours!**

CALL TOLL FREE 1-800-998-8800 (7:00 a.m.–5:00 p.m. PT) for a Design Guide or Free Sample

