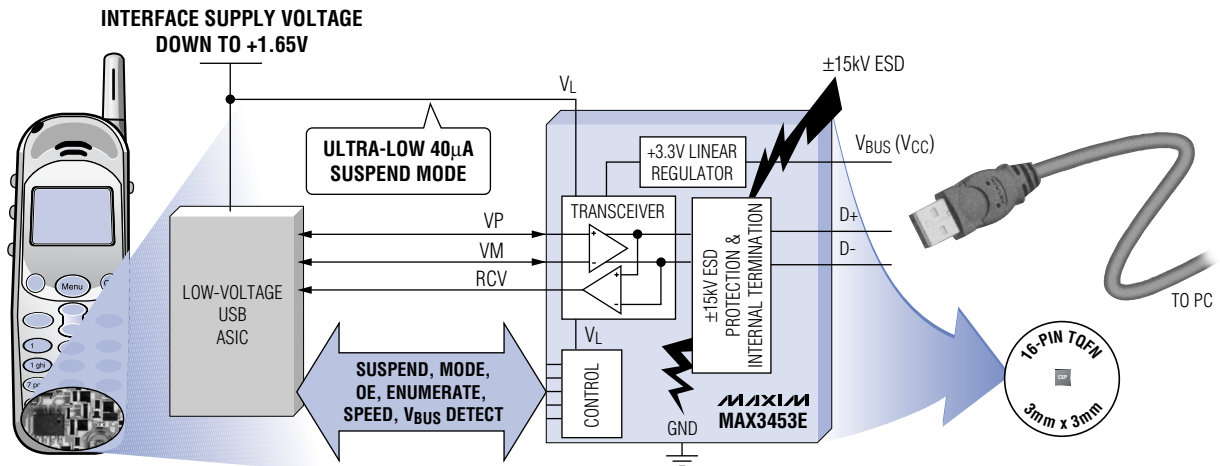


# WORLD'S SMALLEST $\pm 15\text{kV}$ ESD-PROTECTED USB TRANSCEIVERS

Integrated ESD Protection and Pullup Resistor Eliminate External Components



## Beats the Competition in Three Ways

- 1)  $\pm 15\text{kV}$  ESD Protection Ensures IEC 1000-4-2 Compliance and Robust Design
- 2) Internal Pullup Resistor Provides Low-Speed (1.5Mbps) or Full-Speed (12Mbps) Operation, Plus Soft Disconnect
- 3)  $V_{\text{BUS}}$  Detect Output Alerts Processor That a USB Host Is Connected

*Pin-for-Pin Upgrade to Micrel MIC2550A*

Part	V <sub>CC</sub> Power-Supply Voltage (V)	V <sub>L</sub> Power-Supply Voltage (V)	USB Level Detect	Enumerate	USB Speed Supported	$\pm 15\text{kV}$ ESD Protection	Reduced EMI	Pin-Package
MAX3450E	+3.0 to +5.5	+1.65 to +3.6	—	—	Low/full	✓	✓	16-TQFN, 14-TSSOP
MAX3451E	+3.0 to +5.5	+1.65 to +3.6	—	✓	Low/full	✓	✓	
MAX3452E	+4.0 to +5.5	+1.65 to +3.6	✓	—	Low/full	✓	✓	
MAX3453E	+4.0 to +5.5	+1.65 to +3.6	✓	✓	Full	✓	—	
MAX3454E	+3.0 to +5.5	+1.65 to +3.6	—	✓	Low/full	✓	—	
MAX3455E	+4.0 to +5.5	+1.65 to +3.6	✓	—	Low/full	✓	—	
MAX3456E	+3.0 to +5.5	+1.65 to +3.6	—	—	Low/full	✓	—	



www.maxim-ic.com

**FREE Interface Design Guide—Sent Within 24 Hours!**

CALL TOLL-FREE 1-800-998-8800 (6:00 a.m.—6:00 p.m. PT)

For a Design Guide or Free Sample



Distributed by Maxim/Dallas Direct!, Arrow, Avnet Electronics Marketing, Digi-Key, and Newark.

MAXIM is a registered trademark of Maxim Integrated Products, Inc. © 2003 Maxim Integrated Products.