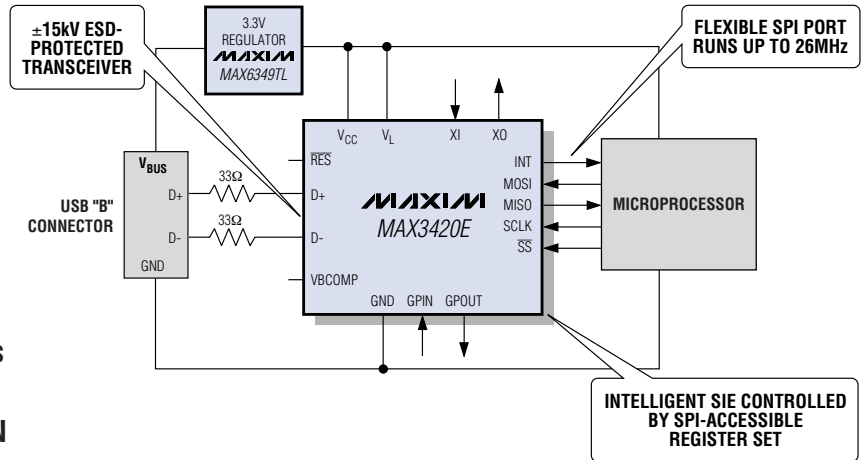


# ADD USB TO ANY SYSTEM

Make Your  $\mu$ P, DSP, or ASIC a Full-Speed USB Peripheral with the MAX3420E

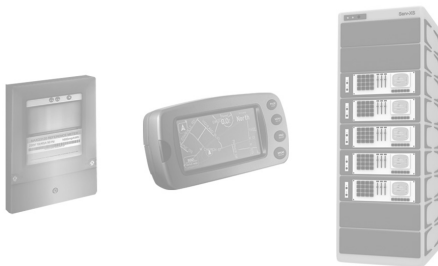
## Features

- ◆  $\pm 15$ kV ESD-Protected, Integrated Full-Speed USB Transceiver (12Mbps)
- ◆ Programmable 3- or 4-Wire SPI™ Interface (Up to 26MHz)
- ◆ Easy to Program
- ◆ Integrated USB Serial Interface Engine (SIE)
- ◆ Extra I/Os: Four General-Purpose Inputs and Four General-Purpose Outputs
- ◆ Available in 24-Pin (4mm x 4mm) TQFN and 32-Pin (7mm x 7mm) TQFP Packages

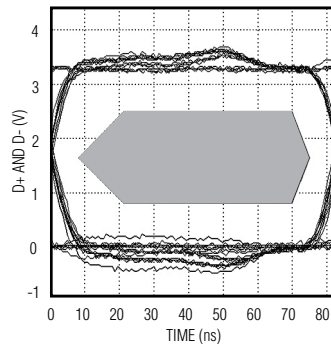


## Ideal for

- ◆ Industrial
- ◆ Automotive
- ◆ Meter Reading
- ◆ Medical



## EYE DIAGRAM



**USB**  
FULL-SPEED (12Mbps)  
USB COMPLIANT

AVAILABLE IN  
SPACE-SAVING  
PACKAGES



SPI is a trademark of Motorola, Inc.

# MAXIM

[www.maxim-ic.com](http://www.maxim-ic.com)

**FREE Interface Design Guide—Sent Within 24 Hours!**

CALL TOLL FREE 1-800-998-8800 (7:00 a.m.–5:00 p.m. PT)

For a Design Guide or Free Sample

**MAXIM/DALLAS**  
**DIRECT!**  
DISTRIBUTION  
1-888-MAXIM-IC

**ARROW**  
ARROW ELECTRONICS, INC.  
1-800-777-2776

**AVNET**  
electronics marketing  
1-800-332-8638

Distributed by Maxim/Dallas Direct!, Arrow, Avnet Electronics Marketing, Digi-Key, and Newark.

The Maxim logo is a registered trademark of Maxim Integrated Products, Inc. The Dallas Semiconductor logo is a registered trademark of Dallas Semiconductor Corp.

© 2006 Maxim Integrated Products, Inc. All rights reserved.