

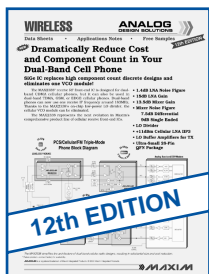
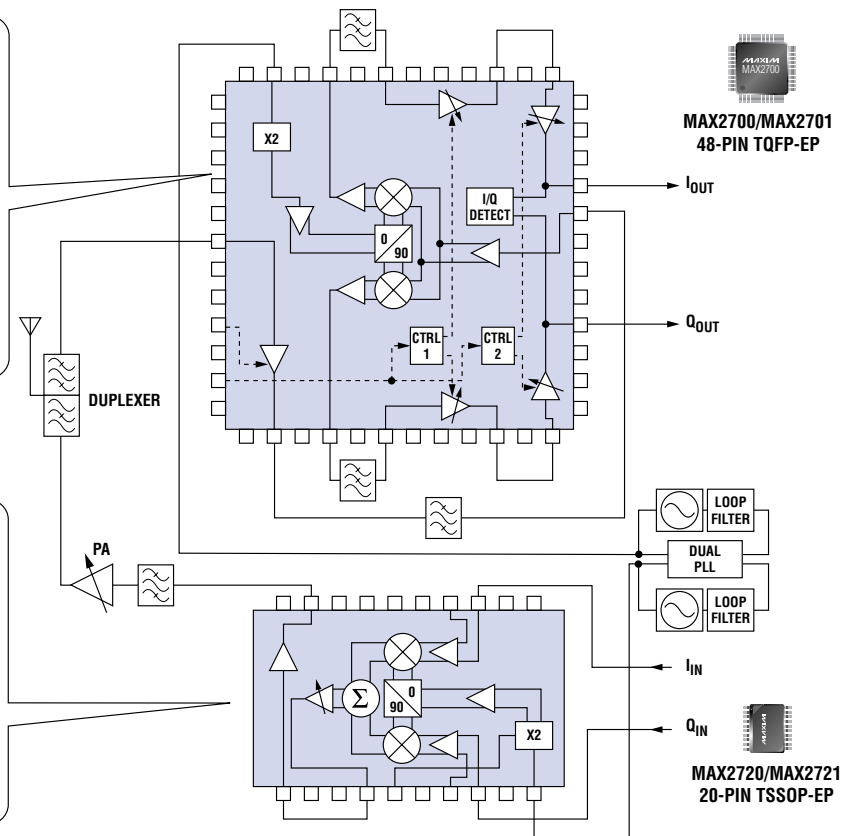
# DIRECT CONVERSION CHIPSET SIMPLIFIES WLL DESIGNS

- Ideal for Wideband Systems with up to 50MHz Channel Bandwidth: Wireless Local Loop, Wireless Broadband Access, MMDS
- Worldwide Frequency Coverage in the 1.8GHz to 2.5GHz Band

Designing a Wireless Local Loop (WLL) radio just got simpler! The MAX2700/MAX2720 chipset takes full advantage of a direct conversion (or zero-IF) radio architecture, eliminating one to two IF downconversions found in typical superheterodyne systems today. The result: reduced component cost (eliminate IF SAW filters, RF up/downconverters, and IF VCOs) along with improved reliability and manufacturing yield.

- Robust Receiver Performance:**
- 7dB NF at Maximum AGC Gain
  - -5dBm Input IP3 over Full AGC Gain
  - 80dB Total Gain Control
  - 0.5dB I/Q Amplitude Match
  - 1.5° I/Q Phase Match
  - Full or 1/2 LO Frequency Input
  - +2.7V to +3.3V Single Supply

- High-Linearity Transmitter Performance:**
- +13dBm RF Output at P-1dB
  - 35dB RF Gain Control
  - 33dB Carrier Suppression
  - 40dB Sideband Suppression
  - Full or 1/2 LO Frequency Input
  - +2.7V to +3.3V Single Supply

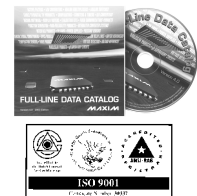


**FREE Wireless Design Guide—Sent Within 24 Hours!**  
Includes: Reply Cards for Free Samples and Data Sheets

CALL TOLL-FREE 1-800-998-8800 for a Design Guide or Free Sample  
6:00 a.m. – 6:00 p.m. Pacific Time

**MAXIM**  
www.maxim-ic.com

2000 EDITION!  
FREE FULL-LINE DATA CATALOG  
ON CD-ROM



**NEW!** Get Price, Delivery, and Place Orders  
Online at [www.maxim-ic.com](http://www.maxim-ic.com)

Maxim Integrated Products, 120 San Gabriel Drive, Sunnyvale, CA 94086, (408) 737-7600, FAX (408) 737-7194.

Distributed by Maxim Distribution, Arrow, Avnet Electronics Marketing, CAM RPC, Digi-Key, Elmo, Nu Horizons, and Zeus.  
Distributed in Canada by Arrow and Avnet Electronics Marketing.

MAXIM is a registered trademark of Maxim Integrated Products. © 2000 Maxim Integrated Products.