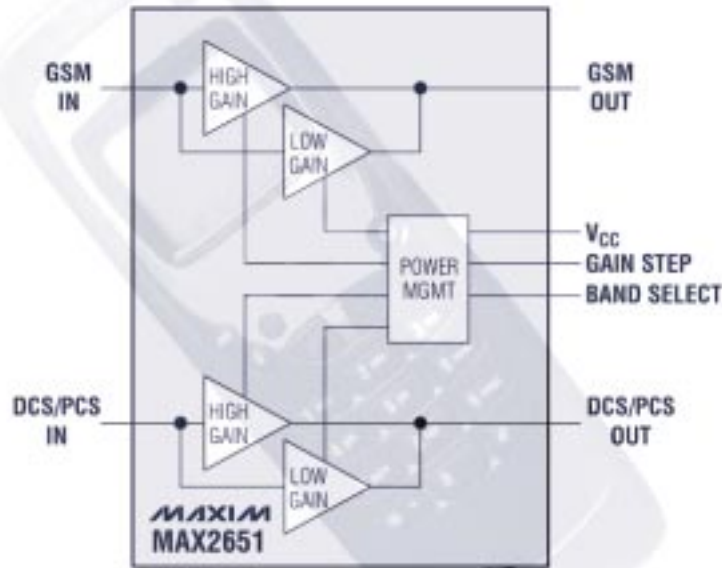




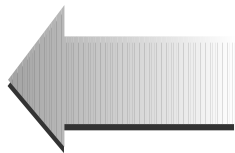
# WORLD'S SMALLEST GSM TRIPLE-BAND LNA DRAWS <6mA

MAX2651 GSM Triple-Band LNA Offers Maximum Features...

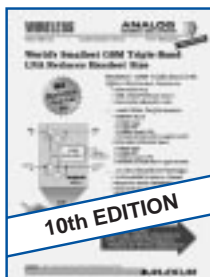


- ◆ 20dB Gain Step Control
- ◆ GSM, DCS/PCS Band Select
- ◆ Externally Adjustable Gain
- ...and Highest Performance
- ◆ GSM900 Band
  - ✓ 18dB Gain
  - ✓ 1.2dB NF
  - ✓ 5.9mA/2.2mA (Hi/Lo Gain Mode)
- ◆ DCS1800/PCS1900 Band
  - ✓ 18dB Gain
  - ✓ 1.8dB NF
  - ✓ 5.7mA/2.2mA (Hi/Lo Gain Mode)
- ...in the Smallest Package
- ◆ 10-Pin  $\mu$ MAX (4.9mm x 3.0mm)

10- $\mu$ MAX   
8- $\mu$ MAX 



MAX2653 DCS/PCS-band-only version offers similar performance in the 8-pin  $\mu$ MAX package.



**FREE Wireless Design Guide – Sent Within 24 Hours!**  
Includes: Data Sheets and Cards for Free Samples

CALL TOLL-FREE 1-800-998-8800 for a Design Guide or Free Sample  
6:00 a.m. – 6:00 p.m. Pacific Daylight Time

**MAXIM**  
[www.maxim-ic.com](http://www.maxim-ic.com)

1999 EDITION!  
FREE FULL-LINE DATA CATALOG  
ON CD-ROM



Maxim has RF Wireless openings in: IC & System Design, Test, Applications, Product Management. Email resume to [RF@ccmail.mxim.com](mailto:RF@ccmail.mxim.com)

Maxim Integrated Products, 120 San Gabriel Drive, Sunnyvale, CA 94086, (408) 737-7600, FAX (408) 737-7194.

Distributed by Arrow, Bell, CAM RPC, Digi-Key, Elmo, Marshall, Nu Horizons, and Zeus.  
Distributed in Canada by Arrow, Bell/Milgray, and Marshall.

MAXIM is a registered trademark of Maxim Integrated Products. © 1999 Maxim Integrated Products.