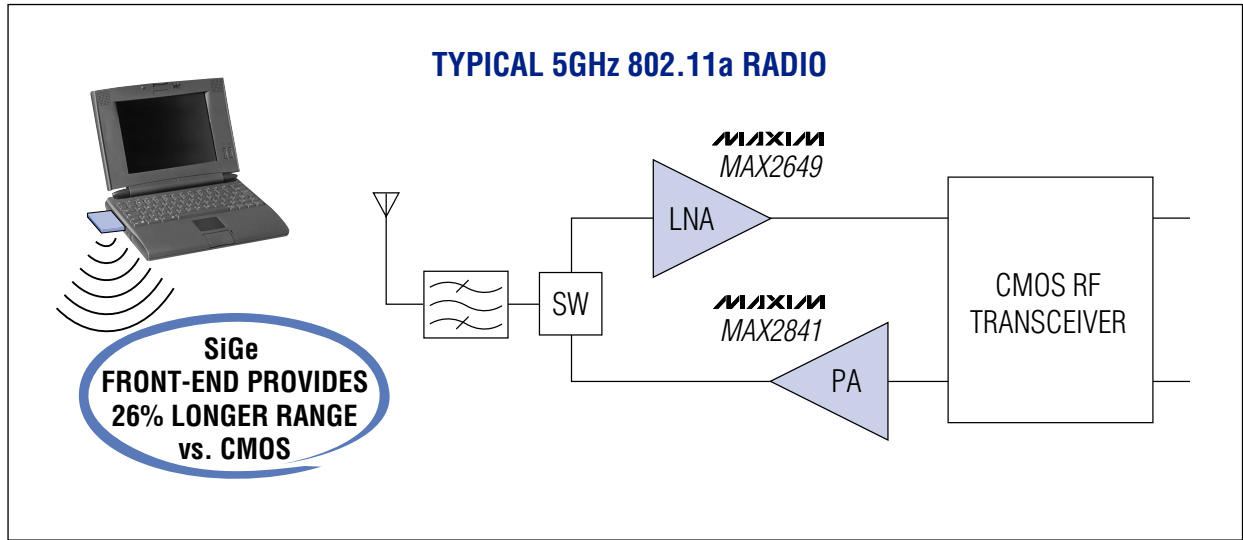


WORLD'S SMALLEST 802.11a FRONT-END SOLUTION DELIVERS 26% LONGER RANGE

60% Smaller than the Competition



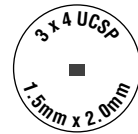
MAX2649 5GHz LNA Features

- ◆ Smallest Package: 60% Smaller than SC70
- ◆ Advanced SiGe Performance: 17dB Gain, 2.1dB NF, 0dBm IP3 for Only 12.5mA
- ◆ 1µA Shutdown Mode: Save \$0.10 in External Components



MAX2841 5GHz PA Features

- ◆ Smallest Package: 3 Times Smaller than Competing Solutions
- ◆ Advanced SiGe Performance: 23dB Power Gain, +18dBm Linear Output, 3.5% EVM
- ◆ On-Chip Power Detector
- ◆ 1µA Low-Power Shutdown



UCSP is a trademark of Maxim Integrated Products, Inc.



FREE Wireless Design Guide—Sent Within 24 Hours!

CALL TOLL-FREE 1-800-998-8800 (6:00 a.m. – 6:00 p.m. PST)

For a Design Guide or Free Sample

MAXIM

www.maxim-ic.com

2002 EDITION!
FREE FULL-LINE DATA CATALOG
ON CD-ROM



**MAXIM/DALLAS
DIRECT!**
DISTRIBUTION

1-888-MAXIM-IC

ARROW

ARROW ELECTRONICS, INC.
1-800-777-2776

cilicon

An Avnet Company

1-800-332-8638

Distributed by Maxim/Dallas Direct!, Arrow, Avnet Electronics Marketing, Digi-Key, and Newark.

MAXIM is a registered trademark of Maxim Integrated Products, Inc. © 2002 Maxim Integrated Products.