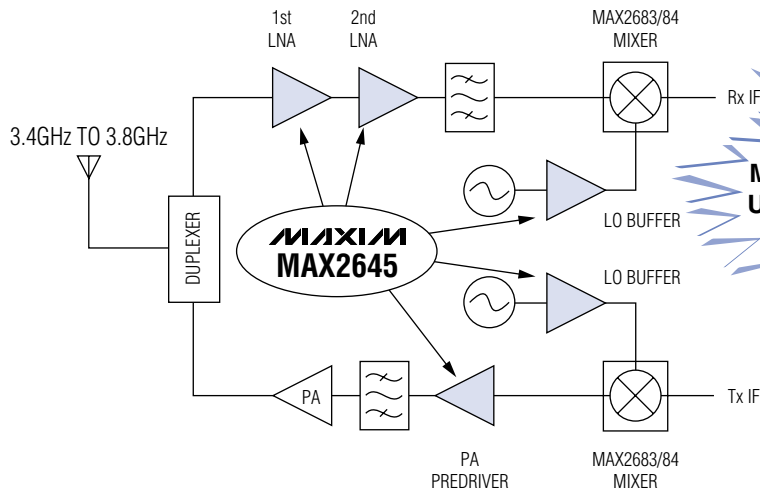
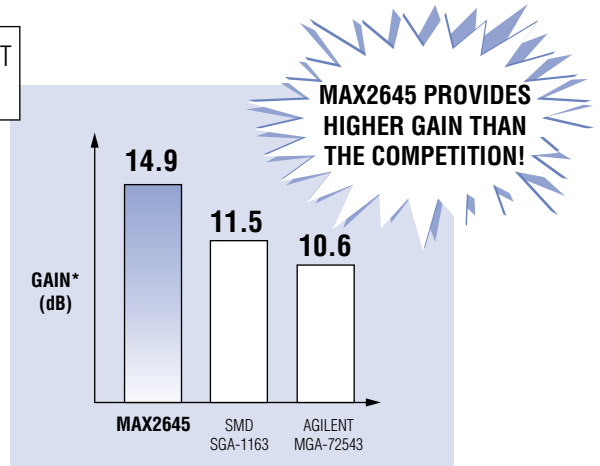
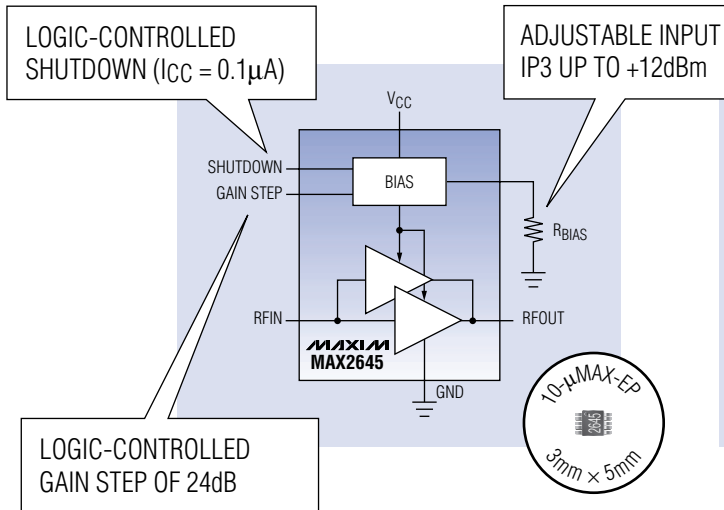


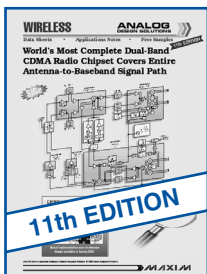
FIRST 3.5GHz LNA WITH ADJUSTABLE IP3 AND GAIN STEP CONTROL

The MAX2645 SiGe LNA has the features you need to build the most robust, high dynamic range receiver for **Wireless Local Loop** and **Wireless Broadband Access** applications.



ADJUSTABLE BIAS/IP3 MAKES MAX2645 VERSATILE! USE IT AS 1ST AND 2ND STAGE LNA, PA PREDRIVER, AND LO BUFFER.

*f = 3.55GHz, I_{CC} = 10mA, V_{CC} = 3V



FREE Wireless Design Guide—Sent Within 24 Hours!
Includes: Reply Cards for Free Samples and Data Sheets

CALL TOLL-FREE 1-800-998-8800 for a Design Guide or Free Sample
6:00 a.m. – 6:00 p.m. Pacific Time

MAXIM
www.maxim-ic.com

2000 EDITION!
FREE FULL-LINE DATA CATALOG
ON CD-ROM



NEW! Get Price, Delivery, and Place Orders Online at www.maxim-ic.com

Maxim Integrated Products, 120 San Gabriel Drive, Sunnyvale, CA 94086, (408) 737-7600, FAX (408) 737-7194.

Distributed by Maxim Distribution, Arrow, Avnet Electronics Marketing, CAM RPC, Digi-Key, Elmo, Nu Horizons, and Zeus.
Distributed in Canada by Arrow and Avnet Electronics Marketing.

MAXIM is a registered trademark of Maxim Integrated Products. © 2000 Maxim Integrated Products.