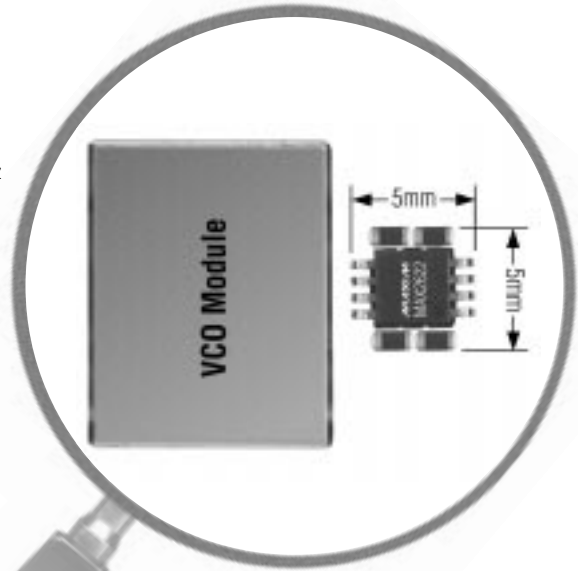
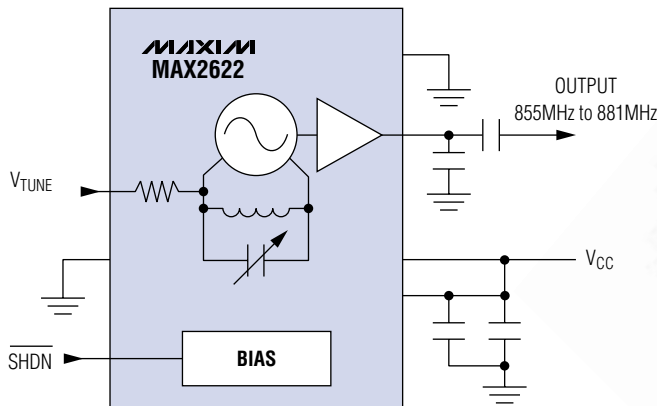


# FULLY MONOLITHIC 900MHz SiGe VCO IN 8-PIN $\mu$ MAX

**Replace Modules in 1/3 the Space, for 2/3 the Cost**

The MAX2622/MAX2623/MAX2624 combine the advantages of VCO modules, such as fast design time and guaranteed performance, with the low cost of discrete VCO designs. In addition, they offer a pin-selectable shutdown mode. All this comes in a tiny 8-pin  $\mu$ MAX package that occupies less than one-third the board space of modules or discrete designs, making the MAX2622/MAX2623/MAX2624 an attractive solution for your next-generation ISM-band radio or cordless phone.



- ◆ On-Chip Tank Circuit
- ◆ 2.7V to 3.6V Operation
- ◆ -100dBc/Hz Phase Noise (100kHz)
- ◆ 250kHz/V Pushing
- ◆ Guaranteed Performance
- ◆ 1 $\mu$ A Shutdown  $I_{SUPPLY}$

PART	VCO FREQUENCY (MHz)	APPLICATIONS
MAX2622	855 to 881	European ISM Band
MAX2623	885 to 950	US ISM Band, DECT
MAX2624 <sup>†</sup>	947 to 998	US ISM Band

<sup>†</sup>Future product—contact factory for availability.



**FREE Wireless Design Guide – Sent Within 24 Hours!**  
Includes: Data Sheets and Cards for Free Samples

CALL TOLL-FREE 1-800-998-8800 for a Design Guide or Free Sample  
6:00 a.m. – 6:00 p.m. Pacific Daylight Time

1999 EDITION!  
FREE FULL-LINE DATA CATALOG  
ON CD-ROM



**MAXIM**  
www.maxim-ic.com



Maxim has RF Wireless openings in: IC & System Design, Test, Applications, Product Management. Email resume to RF@cmail.mxim.com

Maxim Integrated Products, 120 San Gabriel Drive, Sunnyvale, CA 94086, (408) 737-7600, FAX (408) 737-7194.

Distributed by Arrow, Bell, CAM RPC, Digi-Key, Elmo, Marshall, Nu Horizons, and Zeus.  
Distributed in Canada by Arrow, Bell/Milgray, and Marshall.

MAXIM is a registered trademark of Maxim Integrated Products. © 1999 Maxim Integrated Products.